



JN0-681^{Q&As}

New Data Center, Professional

Pass Juniper JN0-681 Exam with 100% Guarantee

Free Download Real Questions & Answers **PDF** and **VCE** file from:

<https://www.geekcert.com/jn0-681.html>

100% Passing Guarantee
100% Money Back Assurance

Following Questions and Answers are all new published by Juniper
Official Exam Center

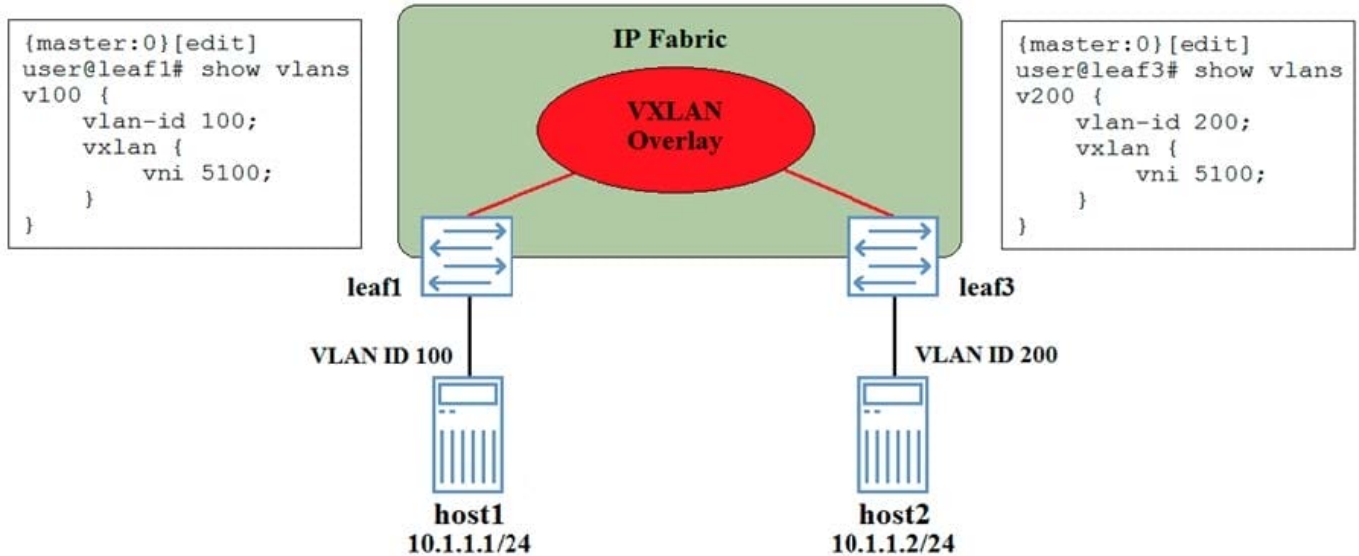
-  **Instant Download** After Purchase
-  **100% Money Back** Guarantee
-  **365 Days** Free Update
-  **800,000+** Satisfied Customers





QUESTION 1

A VXLAN has been created between devices leaf1 and leaf3.



Referring to the exhibit, which statement is true?

- A. Traffic sent from host1 to host2 will be tagged with VLAN ID 200 when exiting leaf3.
- B. Traffic sent from leaf1 to host2 will be dropped on leaf1.
- C. Traffic sent from host1 to host2 will be tagged with VLAN ID 100 when exiting leaf3.
- D. Traffic sent from leaf1 to host2 will be dropped on leaf3.

Correct Answer: A

QUESTION 2

You are asked to enable plug-and-play for future line card switches in an active VCF without making any future Junos configuration changes. You are also required to ensure that all new line cards are automatically upgraded to the correct Junos version without any manual intervention.

In this scenario, which two actions will accomplish this task? (Choose two.)

- A. Ensure that the newly inserted line card's MAC addresses are present in the DHCP configuration for ZTP.
- B. Configure the auto-sw-update parameter on the VCF before inserting new line cards.
- C. Set the Virtual Chassis as pre-provisioned before the line cards are inserted.
- D. Set the Virtual Chassis as auto-provisioned before the line cards are inserted.

Correct Answer: BD



QUESTION 3

You have configured MP-IBGP to support EVPN for your overlay network. However, you are not seeing the expected routes on your edge devices.

```
Peer: 10.255.14.182+179 AS 69      Local:
10.255.14.176+2131 AS 69
  Type: Internal      State: Established      Flags:
<ImportEval>
  Last State: OpenConfirm      Last Event:
RecvKeepAlive
  Last Error: None
  Options: <Preference LocalAddress HoldTime
GracefulRestart AddressFamily      Rib-group
Refresh>
  Address families configured: inet-vpn-unicast
evpn
  Local Address: 10.255.14.176 Holdtime: 90
Preference: 170
  Number of flaps: 0
  Peer ID: 10.255.14.182      Local ID:
10.255.14.176      Active Holdtime: 90
  Keepalive Interval: 30
  NLRI for restart configured on peer: inet-vpn-
unicast 12vpn
  NLRI advertised by peer: inet-vpn-unicast
12 vpn
  NLRI for this session: inet-vpn-unicast
Peer supports Refresh capability (2)
Restart time configured on the peer: 120
Stale routes from peer are kept for: 300
Restart time requested by this peer: 120
```

Referring to the exhibit, how would you solve this problem?

- A. The family evpn signaling parameter must be configured on the remote peer.
- B. Graceful restart must be disabled for this session.
- C. The group types on both devices should be set to external.



D. The family 12vpn signaling must be configured on the local peer.

Correct Answer: A

QUESTION 4

You host a multitenant data center that runs VMware. You must perform deep packet inspection on all inter-tenant traffic that is flowing between the VMs within the same hypervisor. Your solution must provide the security services without needing to leave the physical device.

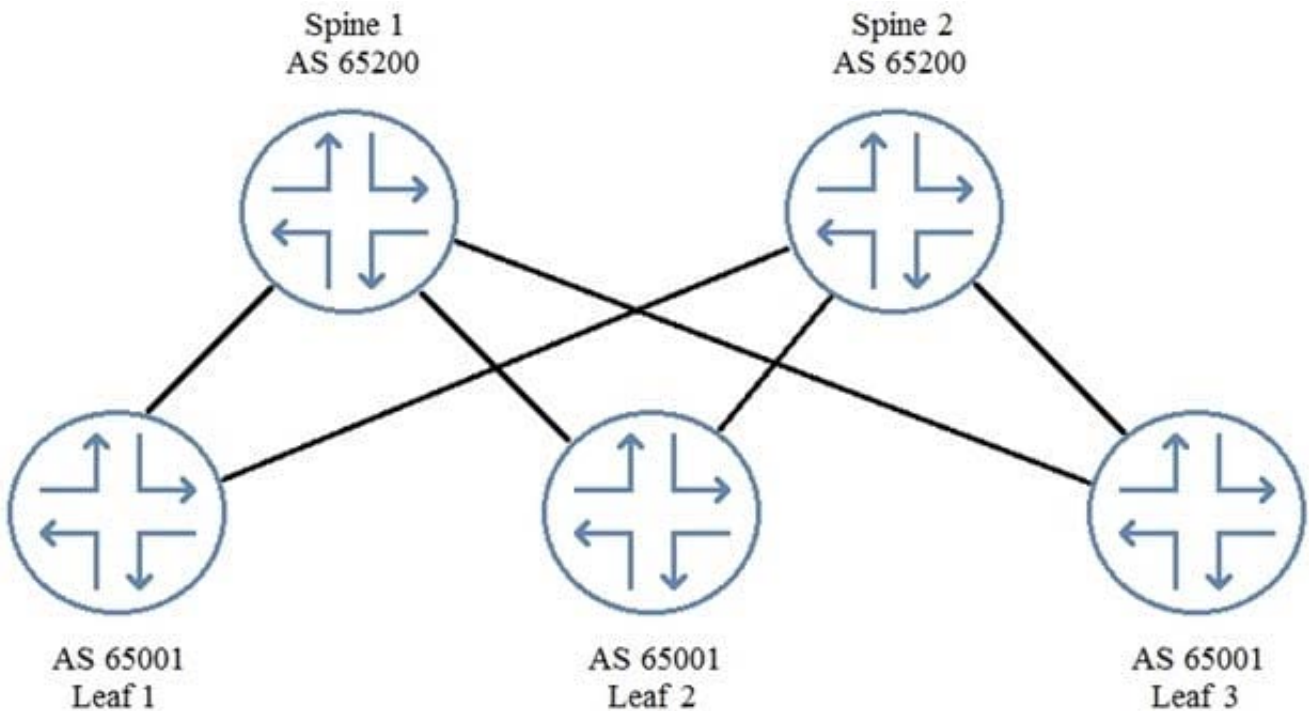
In this scenario, what should you do to solve this problem?

- A. Use separate vSwitches to isolate each tenant's networks and use IP tables to evaluate inter-tenant traffic.
- B. Use VLANs to isolate each tenant's networks and use an SRX Series device to evaluate inter-tenant traffic.
- C. Use a vMX device to isolate each tenant's networks and use with firewall filters to evaluate inter-tenant traffic.
- D. Use separate vSwitches to isolate each tenant's networks and use a vSRX Series device to evaluate inter-tenant traffic.

Correct Answer: D

QUESTION 5

Referring to the exhibit, not all routes are being exchanged by EBGP peers.



In this scenario, which BGP parameter would solve this problem?



- A. multihop
- B. multipath
- C. multipath multiple-as
- D. as-override

Correct Answer: D

[JN0-681 PDF Dumps](#)

[JN0-681 Practice Test](#)

[JN0-681 Exam Questions](#)