



JN0-681^{Q&As}

New Data Center, Professional

Pass Juniper JN0-681 Exam with 100% Guarantee

Free Download Real Questions & Answers **PDF** and **VCE** file from:

<https://www.geekcert.com/jn0-681.html>

100% Passing Guarantee
100% Money Back Assurance

Following Questions and Answers are all new published by Juniper
Official Exam Center

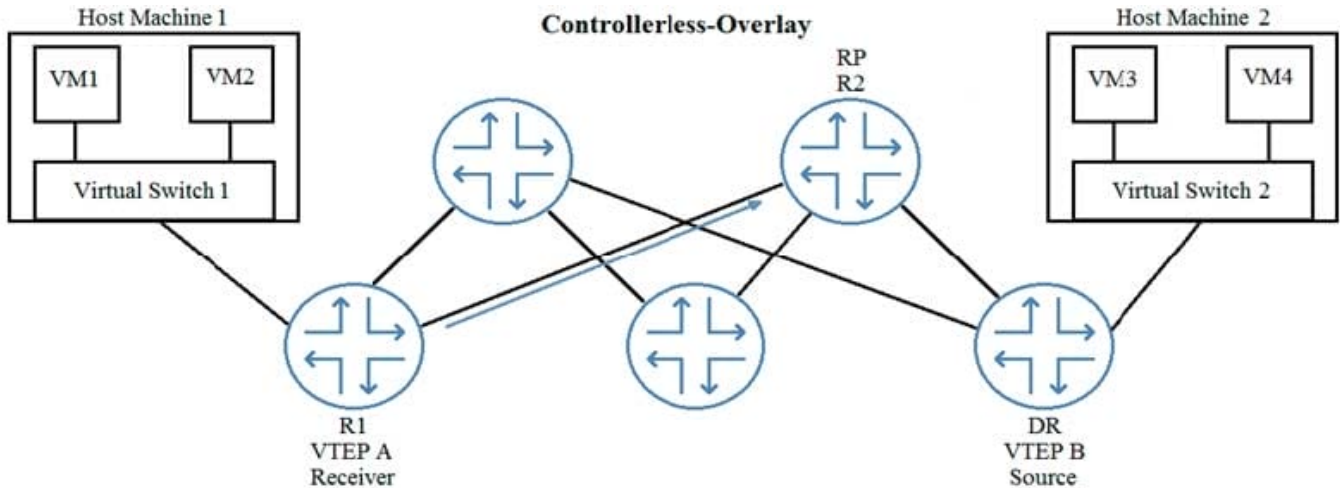
-  **Instant Download** After Purchase
-  **100% Money Back** Guarantee
-  **365 Days** Free Update
-  **800,000+** Satisfied Customers





QUESTION 1

In the exhibit, VM1 is part of the same VXLAN segment as VM3.



Which type of message will R1 initially send to R2 so that VM1 receives BUM traffic from VM3?

- A. IGMP Join (S,G)
- B. PIM Join
- C. IGMP Join (*,G)
- D. PIM Register message

Correct Answer: B

QUESTION 2

What are three functions supported by the Contrail Command user interface? (Choose three.)

- A. enabling VM-to-BMS bridging
- B. onboarding of an IP Fabric
- C. configuring management domains
- D. integrated syslog collector
- E. creating virtual networks

Correct Answer: CDE

QUESTION 3



You have configured MP-IBGP to support EVPN for your overlay network. However, you are not seeing the expected routes on your edge devices.

```
Peer: 10.255.14.182+179 AS 69      Local:
10.255.14.176+2131 AS 69
  Type: Internal      State: Established      Flags:
<ImportEval>
  Last State: OpenConfirm      Last Event:
RecvKeepAlive
  Last Error: None
  Options: <Preference LocalAddress HoldTime
GracefulRestart AddressFamily      Rib-group
Refresh>
  Address families configured: inet-vpn-unicast
evpn
  Local Address: 10.255.14.176 Holdtime: 90
Preference: 170
  Number of flaps: 0
  Peer ID: 10.255.14.182      Local ID:
10.255.14.176      Active Holdtime: 90
  Keepalive Interval: 30
  NLRI for restart configured on peer: inet-vpn-
unicast 12vpn
  NLRI advertised by peer: inet-vpn-unicast
12 vpn
  NLRI for this session: inet-vpn-unicast
Peer supports Refresh capability (2)
Restart time configured on the peer: 120
Stale routes from peer are kept for: 300
Restart time requested by this peer: 120
```

Referring to the exhibit, how would you solve this problem?

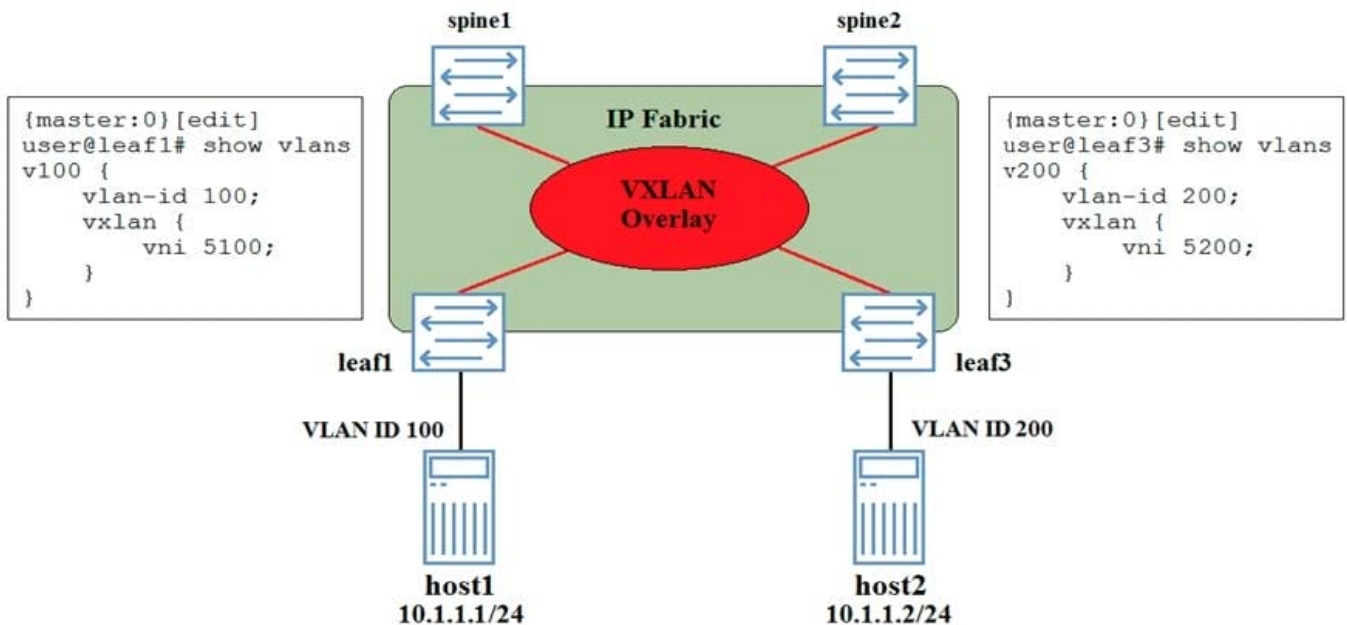
- A. The family evpn signaling parameter must be configured on the remote peer.
- B. Graceful restart must be disabled for this session.
- C. The group types on both devices should be set to external.
- D. The family 12vpn signaling must be configured on the local peer.

Correct Answer: A



QUESTION 4

Devices spine1 and spine2 have been configured as distributed Layer 3 gateways in the VXLAN topology, and devices leaf1 and leaf3 have been configured as Layer 2 gateways. Device host1 must be able to communicate with device host2.



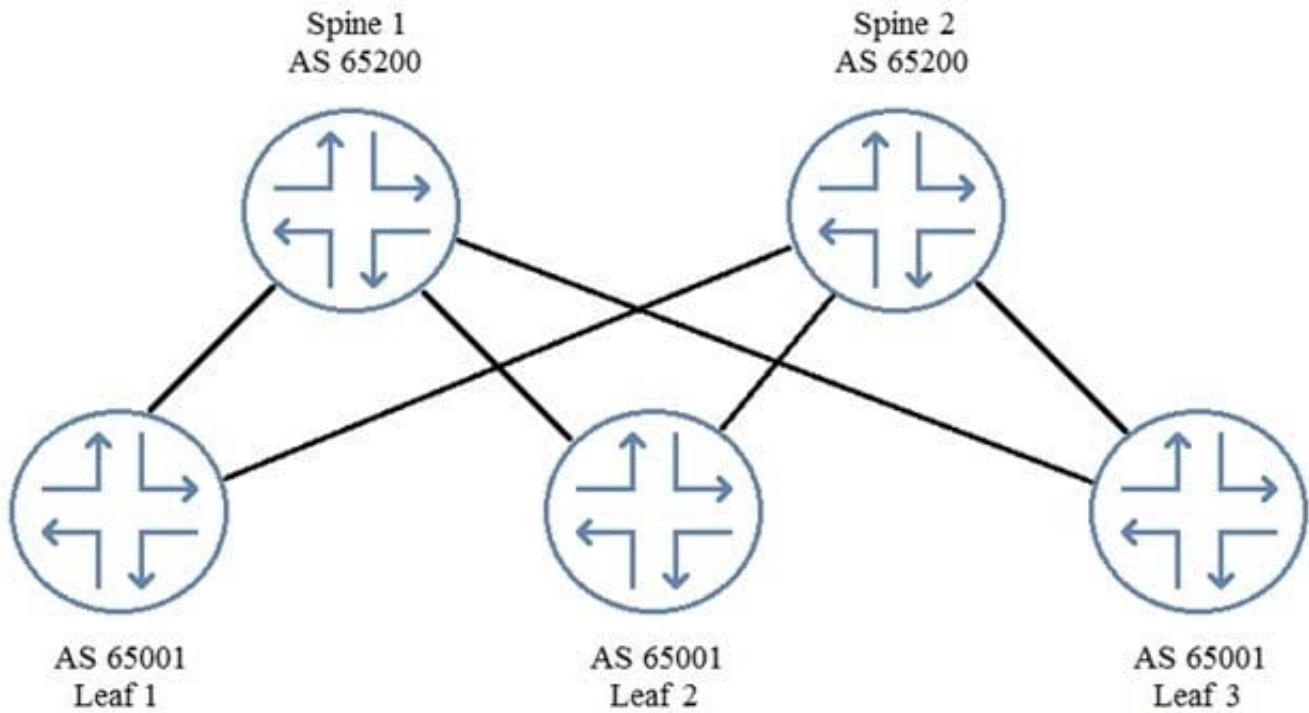
Referring to the exhibit, which two statements are true? (Choose two.)

- A. An IRB interface must be configured on devices leaf1 and leaf2.
- B. Traffic from host1 to host2 will transit the VXLAN tunnel from leaf1 to leaf3.
- C. Traffic from host1 to host2 will transit a VXLAN tunnel to spine1 or spine2, then a VXLAN tunnel from spine1 or spine2 to leaf3.
- D. An IRS interface must be configured on devices spine1 and spine2.

Correct Answer: CD

QUESTION 5

Referring to the exhibit, not all routes are being exchanged by EBGp peers.



In this scenario, which BGP parameter would solve this problem?

- A. multihop
- B. multipath
- C. multipath multiple-as
- D. as-override

Correct Answer: D

[Latest JN0-681 Dumps](#)

[JN0-681 VCE Dumps](#)

[JN0-681 Exam Questions](#)