



NCM-5.15^{Q&As}

Nutanix Certified Master - Multicloud Infrastructure (NCM-MCI) 5.15

Pass Nutanix NCM-5.15 Exam with 100% Guarantee

Free Download Real Questions & Answers **PDF** and **VCE** file from:

<https://www.geekcert.com/ncm-5-15.html>

100% Passing Guarantee
100% Money Back Assurance

Following Questions and Answers are all new published by Nutanix
Official Exam Center

-  **Instant Download** After Purchase
-  **100% Money Back** Guarantee
-  **365 Days** Free Update
-  **800,000+** Satisfied Customers





QUESTION 1

An administrator is deploying an application using Nutanix Volumes. After configuring the volume group and connecting the guest's iSCSI initiator to the volume group, they begin performance testing. The administrator learns that performance on the virtual disk attached to the iSCSI initiator is far less than that of a virtual disk connected directly to the VM.

Which situation is causing this condition?

- A. The VM's iSCSI traffic is being routed to the data services IP subnet
- B. The performance test is generating small block random IO
- C. The cluster data services IP address is a bottleneck, shared with other iSCSI traffic
- D. Data Locality ensures that VM attached disks are always faster than iSCSI volumes

Correct Answer: C

QUESTION 2

A company needs to replicate their VMs to a remote site and must have an RPO of less than 1 hour. When creating a protection domain, what should an administrator do to meet this requirement?

- A. Enable Async Replication with an RPO of 60 minutes
- B. Enable Near-Sync Replication with an RPO of 15 minutes
- C. Enable Entity Sync on the designated VMs
- D. Enable Availability Zones and send the VM to multiple targets

Correct Answer: A

QUESTION 3

An administrator is concerned that Prism will be inaccessible if Active Directory is unable to process logins. Which method should the administrator use to access the cluster in the event of this type of outage?

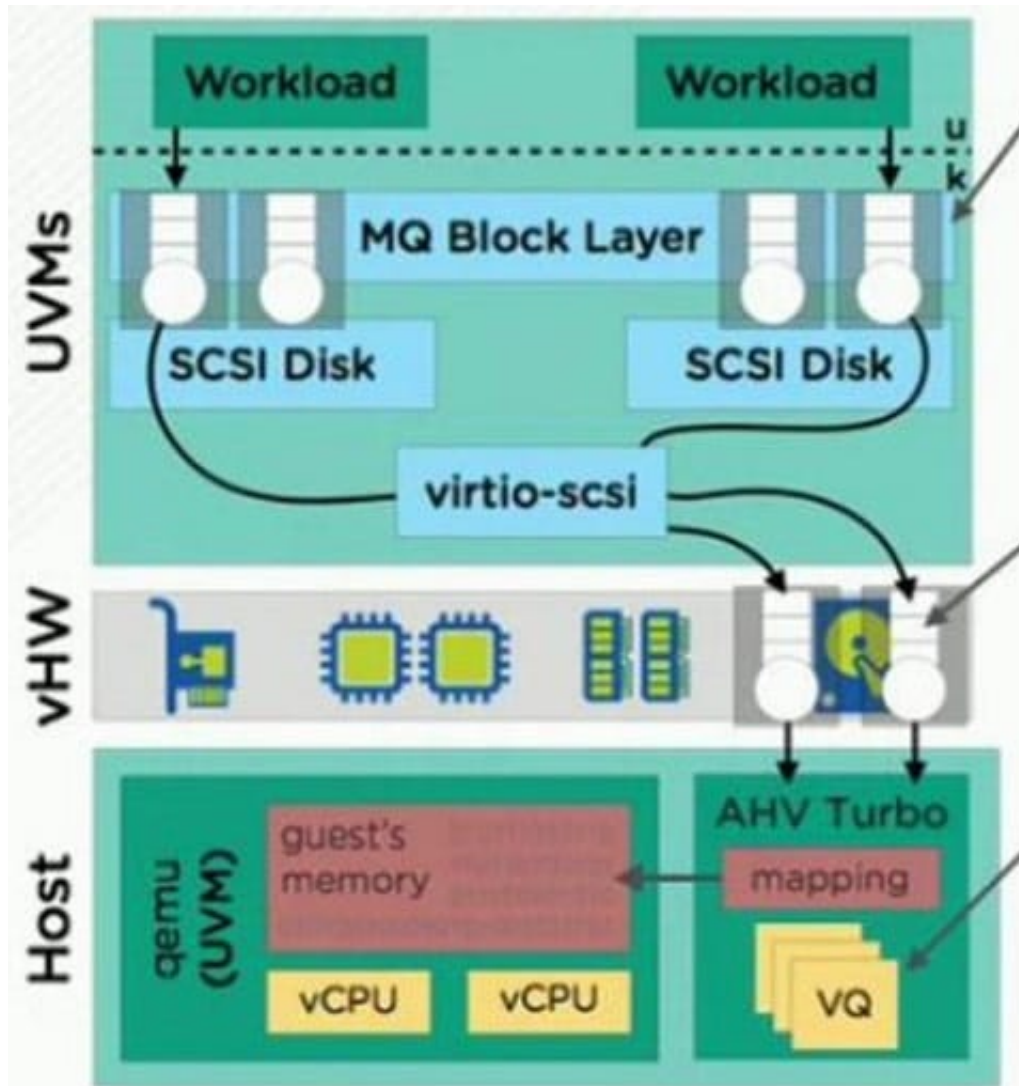
- A. Manage the cluster by using the "nutanix" user on the Prism leader CVM
- B. Create and use an emergency local account on the cluster
- C. Deploy an Active Directory server locally on the cluster
- D. Manage the cluster remotely by downloading ncli to a remote workstation

Correct Answer: B



QUESTION 4

Refer to the exhibit.



An administrator has an existing cluster and needs to improve performance using AHV Turbo. Which two items are required to achieve even greater performance? (Choose two.)

- A. Workloads are multi-threaded.
- B. VMs have one vCPU configured.
- C. VMs have multi-queue disabled.
- D. VMs have more than one vCPU.

Correct Answer: AD

QUESTION 5

An administrator of a Nutanix Enterprise Cloud has microsegmentation enabled and a firewall VM installed. The security



team notifies the administrator that one of the VMs hosted in the environment has been exhibiting suspect network activity. The administrator wants to isolate the VM from the production network, but must still be able to access it to perform diagnostics.

What should the administrator do to meet the requirement?

- A. Disable the vNIC on the affected VM
- B. Quarantine the VM using the Forensic Method
- C. Create a firewall rule that blocks VM traffic but permits diagnostic access
- D. Create a security policy with a service chain directing that VMs traffic to the firewall

Correct Answer: B

[NCM-5.15 PDF Dumps](#)

[NCM-5.15 VCE Dumps](#)

[NCM-5.15 Study Guide](#)