



# NCM-MCI<sup>Q&As</sup>

Nutanix Certified Master - Multicloud Infrastructure

**Pass Nutanix NCM-MCI Exam with 100% Guarantee**

Free Download Real Questions & Answers **PDF** and **VCE** file from:

<https://www.geekcert.com/ncm-mci.html>

100% Passing Guarantee  
100% Money Back Assurance

Following Questions and Answers are all new published by Nutanix  
Official Exam Center

-  **Instant Download** After Purchase
-  **100% Money Back** Guarantee
-  **365 Days** Free Update
-  **800,000+** Satisfied Customers





### QUESTION 1

An administrator is monitoring the Nutanix v5.15-based AOS cluster performance logs and notices that a SQL server VM is greatly exceeding its intended maximum IOPS. The administrator has confirmed that a QoS policy was previously created for the group of VMs this server is a member of.

What are two reasons that this VM would exceed its maximum configured IOPS from the QoS Policy? (Choose two.)

- A. The VM is missing the required snapshot needed to implement the QoS Policy.
- B. The VM was not created as an AFS virtual machine.
- C. The SQL Server VM has volume groups attached.
- D. It was cloned from another SQL Server VM that was a member of the QoS Policy.

Correct Answer: BC

Ref: [https://portal.nutanix.com/page/documents/details?targetId=Prism-Central-Guide-Prism-v5\\_18:mul-storage-qos-pc-c.html](https://portal.nutanix.com/page/documents/details?targetId=Prism-Central-Guide-Prism-v5_18:mul-storage-qos-pc-c.html)

---

### QUESTION 2

An administrator needs to relocate an AHV cluster to a new datacenter during a maintenance window. The cluster will use the same IPs in the new datacenter. Which two steps should be taken to prepare for this task? (Choose two.)

- A. Stop all Nutanix Files clusters
- B. Relocate the linked LDAP servers
- C. Shut down all user VMs in the cluster
- D. Reconfigure IPMI for the new datacenter

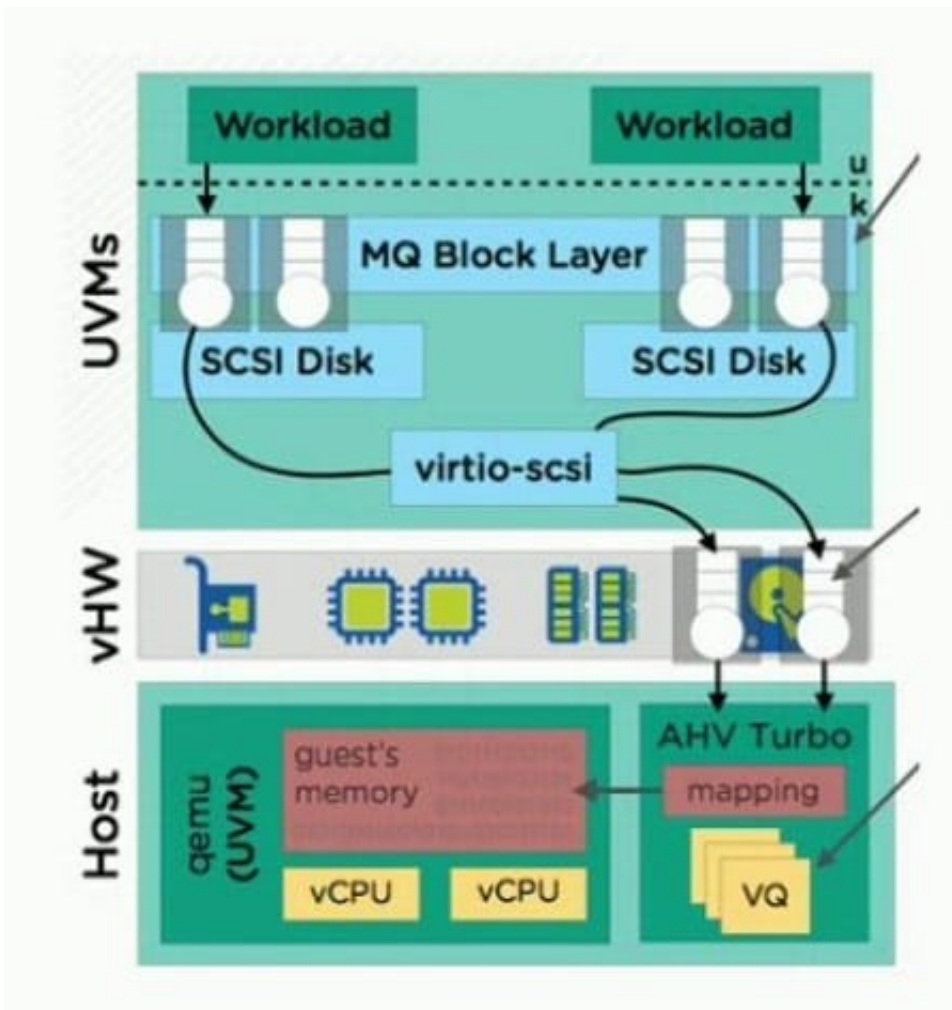
Correct Answer: AC

Ref: <https://next.nutanix.com/installation-configuration-23/physical-relocation-of-nutanix-clusters-38403>

---

### QUESTION 3

Refer to the exhibit.



An administrator has an existing cluster and needs to improve performance using AHV Turbo. Which two items are required to achieve even greater performance? (Choose two.)

- A. Workloads are multi-threaded.
- B. VMs have one vCPU configured.
- C. VMs have multi-queue disabled.
- D. VMs have more than one vCPU.

Correct Answer: AD

#### QUESTION 4

An administrator receives reports about a Nutanix environment. The investigation finds the following;

1.  
VMs are experiencing very high latency
- 2.



Each node is equipped with a single SSD, utilized at 95%

3.

Each node is equipped with three HDDs, utilized at 40% Why are the guest VMs experiencing high latency?

- A. CVMs are overwhelmed by disk balancing operations.
- B. All VM write operations are going to HDD.
- C. All VM read operations are coming from HDD.
- D. VMs are unable to perform write operations.

Correct Answer: B

Ref: <https://next.nutanix.com/prism-infrastructure-management-26/disk-space-usage-high-alert-in-prism-38199>

---

#### QUESTION 5

A customer wants to run SAP HANA on a Nutanix cluster with the following characteristics:

1.

AHV nodes

2.

SAP HANA version 2

3.

Production database files

Which configuration should be recommended to the customer?

- A. Start with a cluster containing three or more nodes
- B. Enable only compression for the container that contains the Production database
- C. Do not enable compression, deduplication, or erasure coding on the storage container
- D. Plate the SAP HANA Database on the same socket as CVM

Correct Answer: C