



NCS-CORE^{Q&As}

Nutanix Certified Services Core Infrastructure Professional

Pass Nutanix NCS-CORE Exam with 100% Guarantee

Free Download Real Questions & Answers **PDF** and **VCE** file from:

<https://www.geekcert.com/ncs-core.html>

100% Passing Guarantee
100% Money Back Assurance

Following Questions and Answers are all new published by Nutanix
Official Exam Center

-  **Instant Download** After Purchase
-  **100% Money Back** Guarantee
-  **365 Days** Free Update
-  **800,000+** Satisfied Customers





QUESTION 1

A customer has the following requirement for a Nutanix cluster:

Must support high-performance Nutanix Volumes iSCSI workloads
Must utilize AHV nodes
Must use 10 GbE interface
How should the customer optimize networking?

- A. Enable Jumbo Frame on just the Host
- B. Convert Cluster to ESXi and enable Jumbo Frame on Host and CVM
- C. Enable Jumbo Frames on just the CVM
- D. Enable the use of Jumbo Frame on Host and CVM

Correct Answer: A

QUESTION 2

A consultant is setting up a new vSphere cluster. Customer requirements are as follows:

*

VMs should automatically failover to another host if the host crashes

*

Host CPU and Memory resources should be evenly balanced

*

New VMs should be placed on the host with the most resources available
Which two settings should be turned on to meet the requirements? (Choose two.)

- A.
vSphere DRS
- B.
vSphere HA
- C.
vSphere vMotion
- D.
vSphere Power Management

Correct Answer: AB



QUESTION 3

A customer has an ESXi Cluster with two 10GbE NICs on each node with the following requirements:

Solution must follow Nutanix Best Practices Network configuration should be redundant A vSphere Standard Switch must be utilized

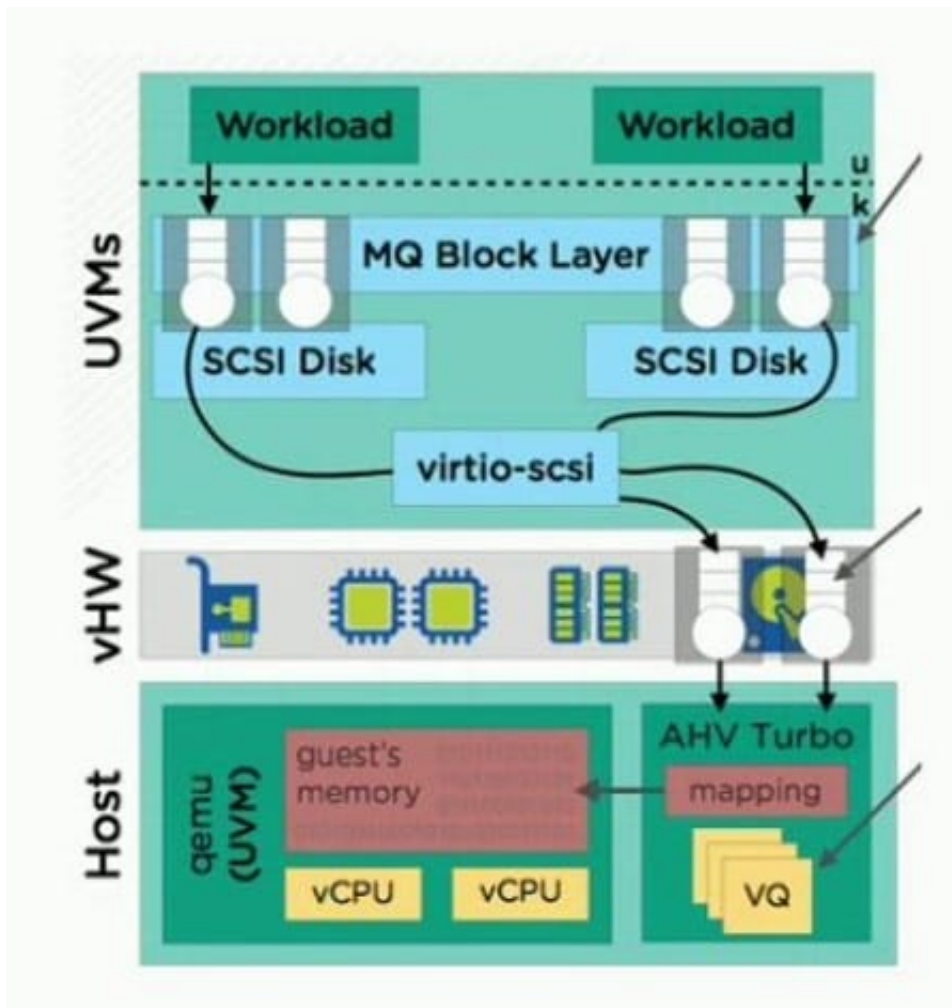
Which load balancing method should be used?

- A. Route based on originating port ID
- B. Route based on physical NIC load
- C. Route based on IP hash
- D. Route based on source MAC hash

Correct Answer: A

QUESTION 4

Refer to the exhibit.



An administrator has an existing cluster and needs to improve performance using AHV Turbo. Which two items are required to achieve even greater performance? (Choose two.)

- A. Workloads are multi-threaded.
- B. VMs have one vCPU configured.
- C. VMs have multi-queue disabled.
- D. VMs have more than one vCPU.

Correct Answer: AD

QUESTION 5

A customer buys ultimate licensing and wants to use the built-in Nutanix software encryption on their new AHV cluster. The customer needs to create three storage containers and asks the consultant to complete the process as fast as possible.

In which order should the cluster be deployed?

- A. Create Cluster -> Install License Key -> Encrypt Cluster -> Create Storage Containers



B. Create Cluster -> Install License Key -> Create Storage Containers -> Encrypt Cluster

C. Create Cluster -> Encrypt Cluster -> Install License Key -> Create Storage Containers

D. Create Cluster -> Create Storage Containers -> Encrypt Cluster -> Install License Key

Correct Answer: B

[NCS-CORE PDF Dumps](#)

[NCS-CORE Study Guide](#)

[NCS-CORE Braindumps](#)