



NS0-183^{Q&As}

NetApp Certified Storage Installation Engineer, ONTAP

Pass NetApp NS0-183 Exam with 100% Guarantee

Free Download Real Questions & Answers **PDF** and **VCE** file from:

<https://www.geekcert.com/ns0-183.html>

100% Passing Guarantee
100% Money Back Assurance

Following Questions and Answers are all new published by NetApp
Official Exam Center

-  **Instant Download** After Purchase
-  **100% Money Back** Guarantee
-  **365 Days** Free Update
-  **800,000+** Satisfied Customers





QUESTION 1

After a system panic, the NetApp Support team advises you to run the sldiag command.

Which two actions must be performed before you use this command? (Choose two.)

- A. At the LOADER prompt, type boot_maintenance.
- B. At the storage system prompt, type halt.
- C. At the LOADER prompt, type boot_diags.
- D. At the storage system prompt, type boot_maintenance.

Correct Answer: BC

Reference: <https://docs.netapp.com/platstor/index.jsp?topic=%2Fcom.netapp.doc.hw-plat-diag%2FGUIDB944DDDB-FA1D-4306-8157-2DF02613CA39.html>

QUESTION 2

Which three components are required when setting up a new ONTAP cluster? (Choose three.)

- A. password
- B. cluster management IP
- C. node management IP
- D. Advanced Drive Partitioning
- E. intercluster IP

Correct Answer: BCE

Reference: <https://docs.netapp.com/ontap-9/index.jsp?topic=%2Fcom.netapp.doc.dot-cm-nmg%2FGUID1BA3000D-2243-44E4-98CC-8D42A5C8AF8F.html>

QUESTION 3

You install a 4-node cluster with an AFF A400 HA pair and a FAS8300 HA pair. After setup, you are asked to review the audit logs on each controller from a Web browser.

In this scenario, which method provides access to the logs from a Web browser?

- A. ACP
- B. ADP
- C. DNS

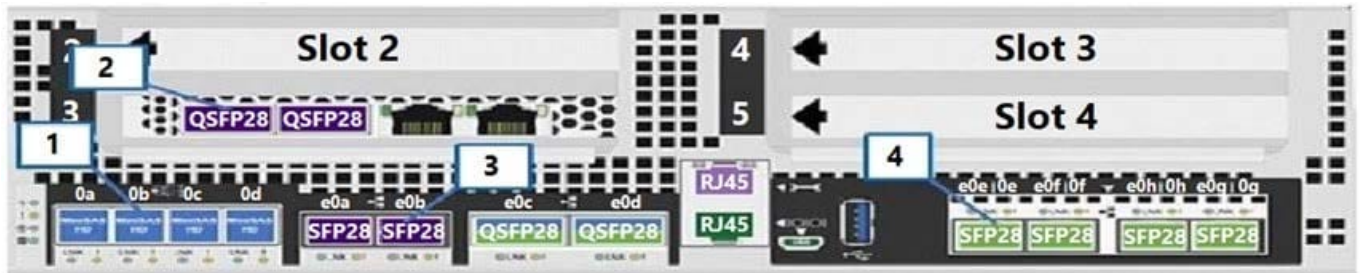


D. SPI

Correct Answer: D

QUESTION 4

Click the Exhibit button.



You are installing a 2-node AFF A400 switchless cluster. You have cabled the management network to the e0M port. NetApp also recommends cabling to a redundant management network switch.

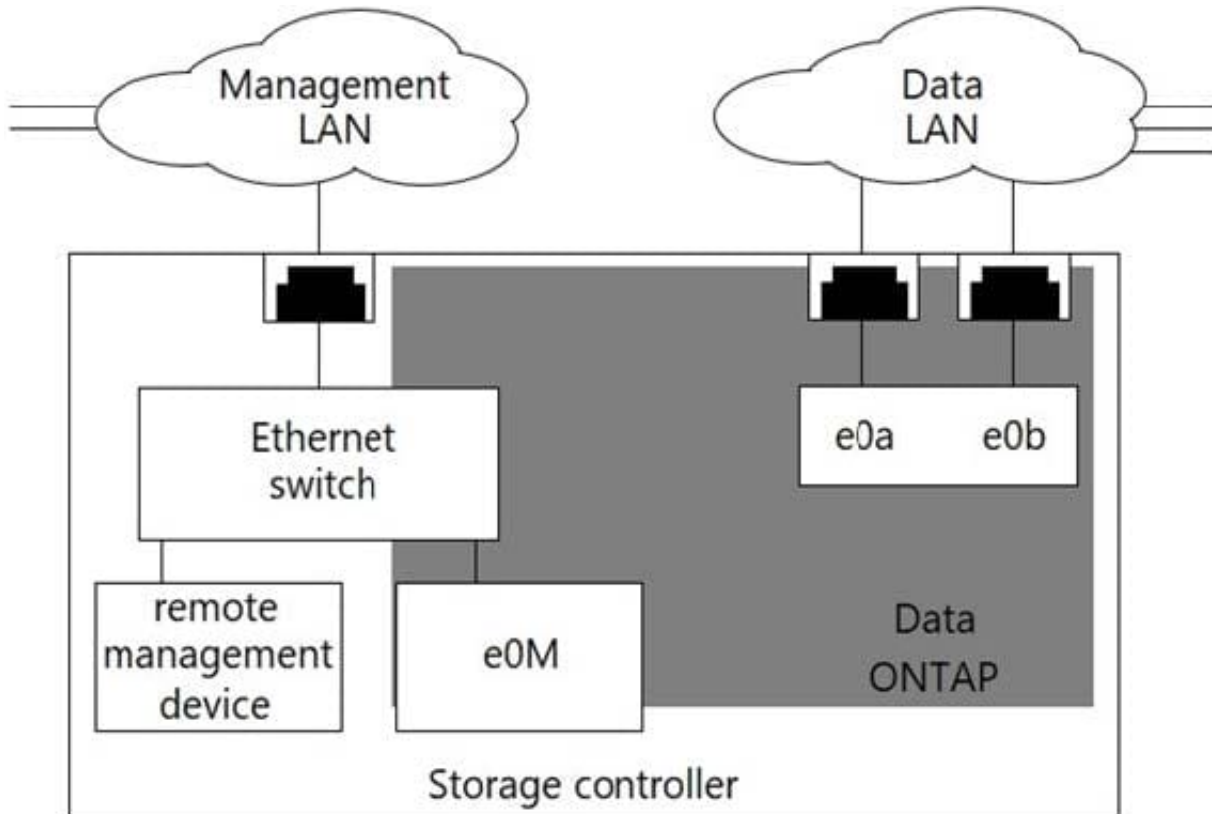
Referring to the exhibit, to which port should the redundant management network be cabled?

- A. 3
- B. 2
- C. 1
- D. 4

Correct Answer: D

QUESTION 5

Click the Exhibit button.



You are installing a new FAS cluster. The management network must be on tagged VLAN 11 for remote administration by a service provider.

Referring to the exhibit, which two ports will allow service provider access to both cluster and node management LIFs? (Choose two.)

- A. e0M
- B. e0b-11
- C. e0a-11
- D. e0M-11

Correct Answer: AD

[NS0-183 PDF Dumps](#)

[NS0-183 Study Guide](#)

[NS0-183 Exam Questions](#)