



# NS0-183<sup>Q&As</sup>

NetApp Certified Storage Installation Engineer, ONTAP

## Pass NetApp NS0-183 Exam with 100% Guarantee

Free Download Real Questions & Answers **PDF** and **VCE** file from:

<https://www.geekcert.com/ns0-183.html>

100% Passing Guarantee  
100% Money Back Assurance

Following Questions and Answers are all new published by NetApp  
Official Exam Center

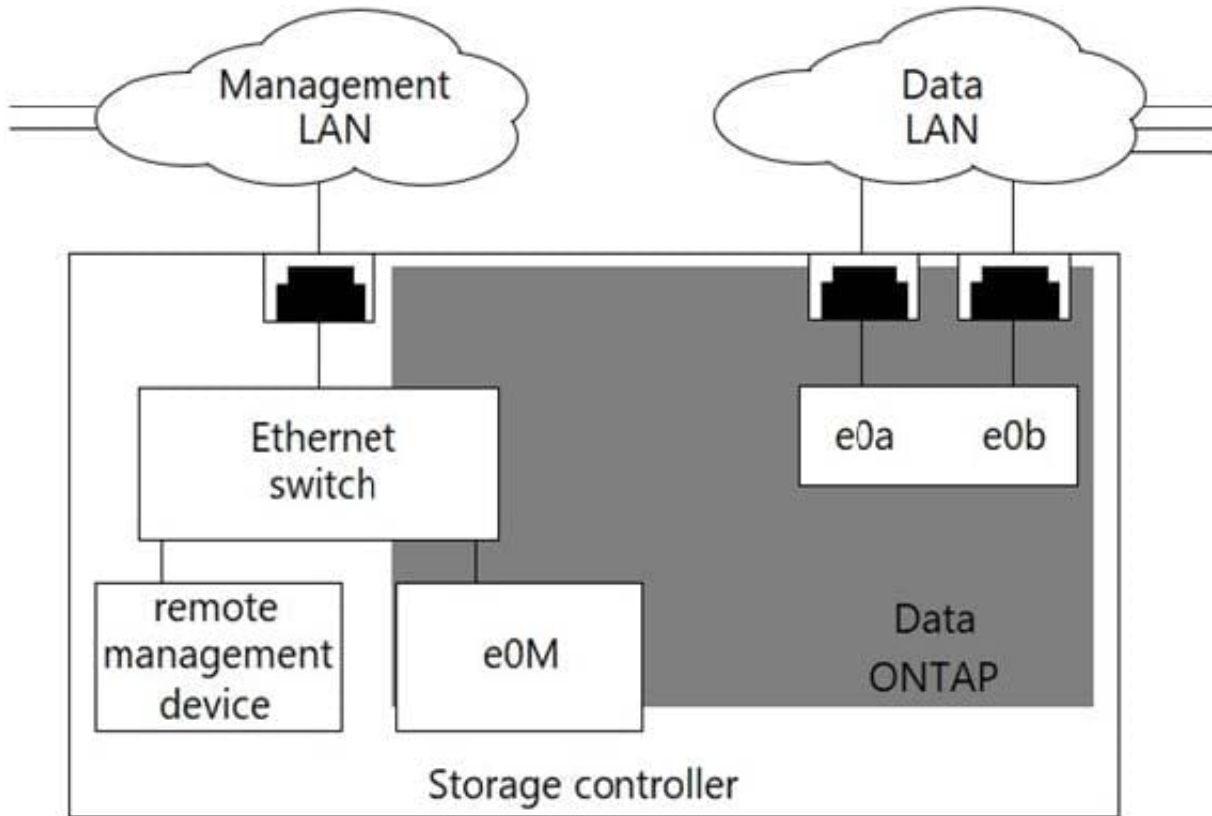
-  **Instant Download** After Purchase
-  **100% Money Back** Guarantee
-  **365 Days** Free Update
-  **800,000+** Satisfied Customers





### QUESTION 1

Click the Exhibit button.



You are installing a new FAS cluster. The management network must be on tagged VLAN 11 for remote administration by a service provider.

Referring to the exhibit, which two ports will allow service provider access to both cluster and node management LIFs? (Choose two.)

- A. e0M
- B. e0b-11
- C. e0a-11
- D. e0M-11

Correct Answer: AD

### QUESTION 2

You need to install a cluster with a FAS2720 HA pair and a FAS8300 HA pair.

Which NetApp tool will verify which cluster interconnect switches support this configuration?



- A. Active IQ Config Advisor
- B. Interoperability Matrix Tool (IMT)
- C. Hardware Universe (HWU)
- D. mysupport.netapp.com site

Correct Answer: C

Reference: <https://www.netapp.com/media/12424-tr4036.pdf>

---

### QUESTION 3

What are two ONTAP storage efficiency technologies that would be used on an AFF A400 cluster? (Choose two.)

- A. Flash Pool
- B. thin provisioning
- C. FlashCache
- D. FlexClone volumes

Correct Answer: AC

---

### QUESTION 4

An ONTAP cluster is installed at a secure site. The array has no access to the Internet but is managed 24/7 by onsite engineers. The customer requires that when hardware failures occur, the failures are reported to the NetApp Support team as quickly as possible.

In this scenario, which two tasks should be performed during the project hand-off procedure to satisfy the customer's requirement? (Choose two.)

- A. Ensure that Active IQ Config Advisor is installed.
- B. Ensure that the onsite engineers receive EMS alerts when hardware issues occur.
- C. Educate the onsite engineers about invoking the AutoSupport tool from ONTAP System Manager.
- D. Educate the onsite engineer about how to manually log support calls.

Correct Answer: BC

---

### QUESTION 5

A customer has a current AFF ASA A700 cluster and they want to expand the cluster by adding a second AFF ASA A700 HA pair.

In this scenario, which step would be required to accomplish this task?



- A. Install a BES-53248 cluster switch and convert the AFF ASA A700 from a switchless to switch cluster.
- B. Enable ALUA between the two HA pairs to allow cluster backend traffic.
- C. The customer will need to create a separate cluster for the second AFF ASA A700 pair.
- D. Install a Brocade FC switch and create zoning between the original cluster and the new cluster.

Correct Answer: A

[Latest NS0-183 Dumps](#)

[NS0-183 PDF Dumps](#)

[NS0-183 VCE Dumps](#)