



# NS0-192<sup>Q&As</sup>

NetApp Certified Support Engineer

**Pass NetApp NS0-192 Exam with 100% Guarantee**

Free Download Real Questions & Answers **PDF** and **VCE** file from:

<https://www.geekcert.com/ns0-192.html>

100% Passing Guarantee  
100% Money Back Assurance

Following Questions and Answers are all new published by NetApp  
Official Exam Center

-  **Instant Download** After Purchase
-  **100% Money Back** Guarantee
-  **365 Days** Free Update
-  **800,000+** Satisfied Customers





### QUESTION 1

A customer can no longer connect to a data LIF after upgrading from ONTAP 9.1 to ONTAP 9.2. A packet trace shows the data LIF is responding to the initial SYN with a SYN/ACK. This SYN/ACK never makes it to the client.

In this scenario, which statement is correct?

- A. ONTAP 9.2 does not have IP FastPath.
- B. ONTAP 9.2 does not have Large Receive Offload.
- C. ONTAP 9.2 does not have LACP.
- D. ONTAP 9.2 does not have TCP Segmentation Offload.

Correct Answer: A

Reference: <https://whyistheinternetbroken.wordpress.com/tag/networking/>

---

### QUESTION 2

You are adding an additional node to a single-node cluster.

Which of the actions should be performed after this upgrade? (Choose two.)

- A. Verify that HA is enabled.
- B. Verify that epsilon is not assigned.
- C. Verify that epsilon is assigned.
- D. Verify that HA is disabled.

Correct Answer: CD

---

### QUESTION 3

Which three protocols does ONTAP support for ALUA? (Choose three.)

- A. CIFS
- B. FCoE
- C. iSCSI
- D. FC
- E. NFS

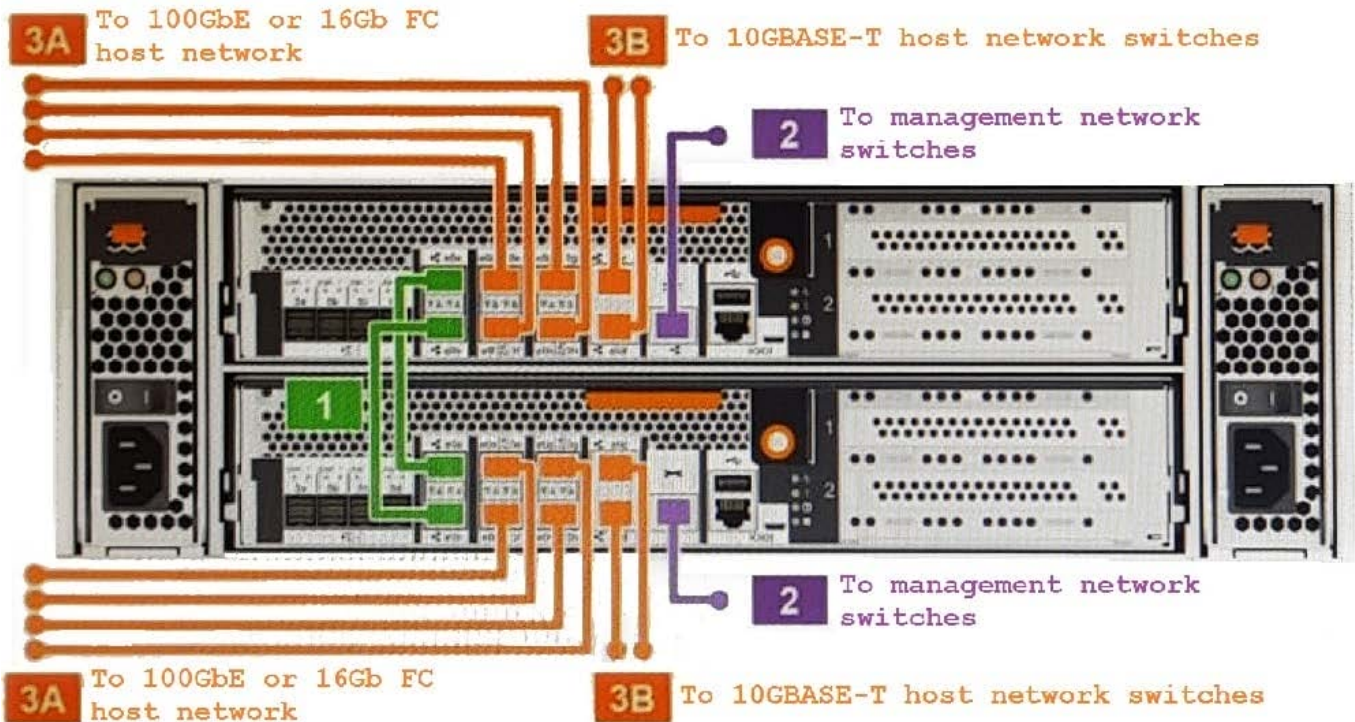
Correct Answer: BCD

---



#### QUESTION 4

Click the Exhibit button.



You are troubleshooting HA interconnect link connection errors.

Referring to the exhibit, which physical connections should you examine?

- A. 1
- B. 3B
- C. 3A
- D. 2

Correct Answer: C

#### QUESTION 5

After replacing a failed disk, the disk does not appear as a spare on any node in the cluster.

What should be done to correct this problem?

- A. Physically remove the disk and re-seat it firmly in the storage bay.
- B. Physically remove and re-seat each IOM in the shelf, one at a time.
- C. Assign ownership of the replaced disk to a node.



D. Add the disk into an aggregate on either node.

Correct Answer: C

[NS0-192 VCE Dumps](#)

[NS0-192 Practice Test](#)

[NS0-192 Braindumps](#)