



NS0-509^{Q&As}

NetApp Certified Implementation Engineer - SAN - ONTAP

Pass NetApp NS0-509 Exam with 100% Guarantee

Free Download Real Questions & Answers **PDF** and **VCE** file from:

<https://www.geekcert.com/ns0-509.html>

100% Passing Guarantee
100% Money Back Assurance

Following Questions and Answers are all new published by NetApp
Official Exam Center

-  **Instant Download** After Purchase
-  **100% Money Back** Guarantee
-  **365 Days** Free Update
-  **800,000+** Satisfied Customers





QUESTION 1

A customer recently added two nodes with FC ports to a 4-node cluster.

Which SVM configuration is needed before the customer creates LUNs on the new nodes?

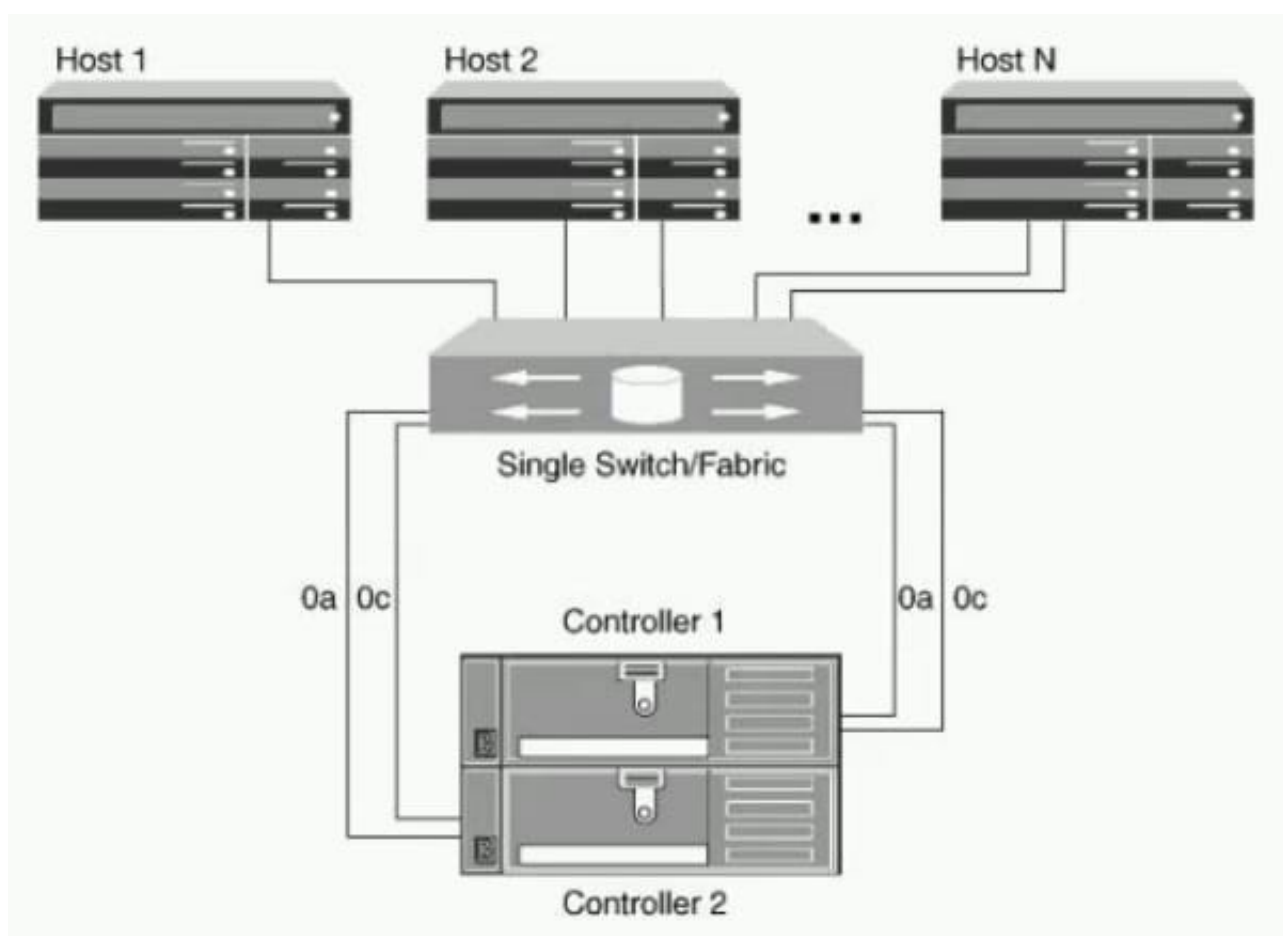
- A. The FC service needs to be enabled on the data SVM.
- B. The existing LIFs need to be migrated to the new nodes.
- C. New FC LIFs need to be created on the cluster SVM.
- D. New FC LIFs need to be created on the new nodes.

Correct Answer: D

Reference: <https://docs.netapp.com/ontap-9/index.jsp?topic=%2Fcom.netapp.doc.expand%2FGUIDE3BB89AF-6251-4210-A979-130E845BC9A1.html>

QUESTION 2

Click the Exhibit button.





You have a 2-node cluster in a single-fabric SAN. Host 1 and Host 2 are part of a VMware cluster and access the same LUNs that reside in your NetApp storage.

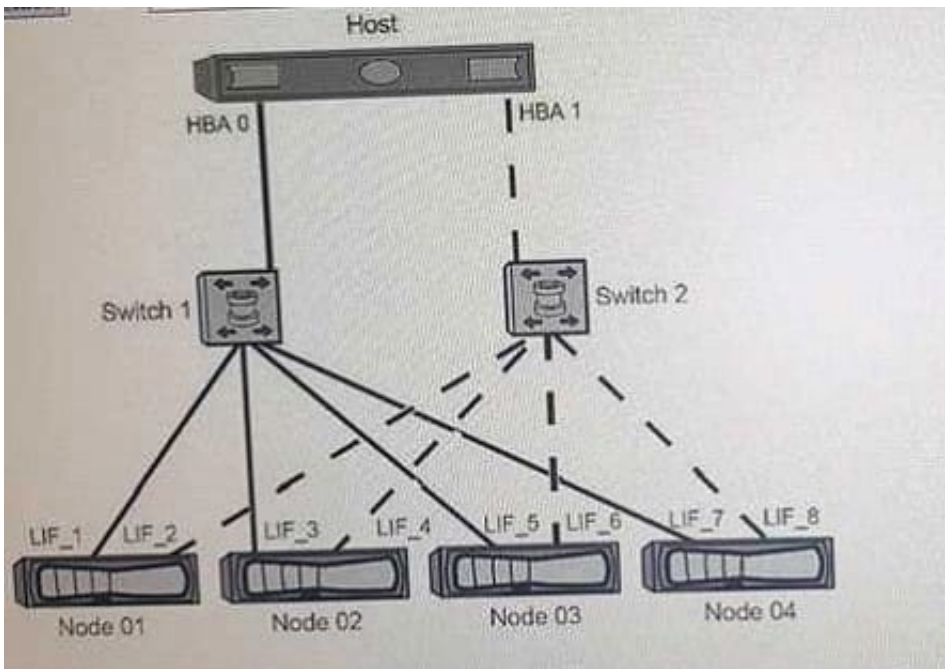
Referring to the exhibit, what would be a way to test whether the multipathing is properly configured in your environment?

- A. Verify whether all destination storage target ports are contained in the same zone as Host 1.
- B. Administratively set ports 0a and 0c on Controller 1 to the offline setting.
- C. Power off the SAN switch.
- D. Disconnect Host 1 port and verify whether Host 2 is still able to run the VMs.

Correct Answer: B

QUESTION 3

Exhibit.



A customer is testing a dual-fabric FC SAN configuration as shown in the exhibit and the zones are implemented on the switches shown below.

Switch 1 / Zone 1: HBA 0, LIF_1, LIF_3, LIF_5, and LIF_7
Switch 2 / Zone 2: HBA 1, LIF_2, LIF_4, LIF_6, and LIF_8

If all the nodes are in the SLM reporting nodes list, how many paths per LUN should the customer expect when simulating an FC SFP failure by bringing LIF_3 offline?

- A. 15 paths



B. 3 paths

C. 4 paths

D. 7 paths

Correct Answer: D

QUESTION 4

A customer is expanding an ONTAP 9.4 switchless 2-node FAS2750 cluster. Two AFF A220 nodes will be added to the cluster.

In addition to the cluster nodes, what else is required to perform the cluster expansion?

A. Additional management switches are required.

B. An upgrade to ONTAP 9.5 is required.

C. Cluster switches are required.

D. Additional DS224C shelves are needed.

Correct Answer: A

QUESTION 5

Exhibit.

```
switch-01# configuration terminal
Enter configuration commands, one per line. End with CNTL/Z.

switch-01(config)# vlan 23
switch-01(config-vlan)# name VM Data VLAN

switch-01(config)# vlan 3011
switch-01(config-vlan)# name FC Traffic VLAN - Pod 1
switch-01(config-vlan)# fcoe vsan 11

switch-01(config)# interface Ethernet1/27
switch-01(config-if)# description c11-01:e0e
switch-01(config-if)# channel-group 11 mode active

switch-01(config-if)# interface port-channel11
switch-01(config-if)# description c11-01 (poll) *FCoE*
switch-01(config-if)# switchport mode trunk
switch-01(config-if)# switchport trunk native vlan 0
switch-01(config-if)# switchport trunk allowed vlan 23,3011
switch-01(config-if)# spanning-tree port type edge trunk
switch-01(config-if)# vpc 11

switch-01(config-if)# interface vfc11
switch-01(config-if)# bind interface e1/27
switch-01(config-if)# switchport description c11-01:e0e *FCoE*
```



An administrator is configuring FCoE on Cisco Nexus switches for a new AFF A200 ONTAP cluster. The administrator executes the commands shown in the exhibit to create the necessary network configuration. Which VLAN is responsible for controlling the FCoE traffic on the new interface?

- A. 0
- B. 3011
- C. 23
- D. 11

Correct Answer: B

[NS0-509 PDF Dumps](#)

[NS0-509 Practice Test](#)

[NS0-509 Exam Questions](#)