



NS0-509^{Q&As}

NetApp Certified Implementation Engineer - SAN - ONTAP

Pass NetApp NS0-509 Exam with 100% Guarantee

Free Download Real Questions & Answers **PDF** and **VCE** file from:

<https://www.geekcert.com/ns0-509.html>

100% Passing Guarantee
100% Money Back Assurance

Following Questions and Answers are all new published by NetApp
Official Exam Center

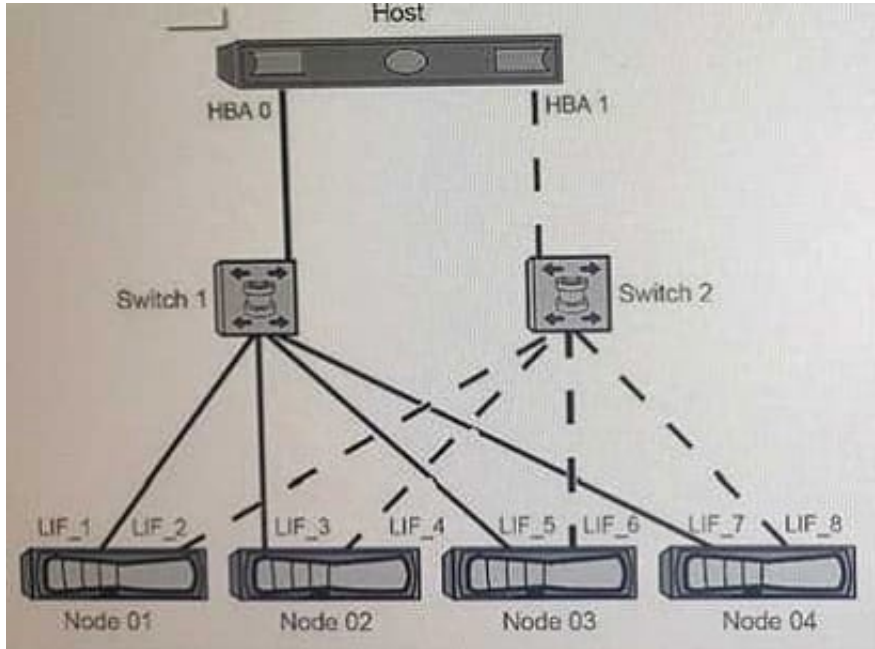
-  **Instant Download** After Purchase
-  **100% Money Back** Guarantee
-  **365 Days** Free Update
-  **800,000+** Satisfied Customers





QUESTION 1

Exhibit.



The host in the exhibit is connected to a 4-node ONTAP SAN using dual-fabric implementation. LUNs have been mapped LUN through all available UFs on nil (our nodes. Switch 2 is powered off for high- availability testing.

How many paths per LUN would you expect the host to see in this scenario?

- A. 2
- B. 6
- C. 4
- D. 8

Correct Answer: C

QUESTION 2

An administrator has a new AFF A220 system with two DS224C disk shelves and wants to validate if the shelf cabling is correct.

Which resource would be used to accomplish this task?

- A. Config Advisor



- B. OnCommand Unified Manager (OCUM)
- C. OneCollect
- D. Interoperability Matrix Tool (IMT)

Correct Answer: A

Reference: https://library.netapp.com/ecm/ecm_download_file/ECMLP2842667

QUESTION 3

You need to move a LUN non-disruptively from an AFF A200 HA pair to an AFF A700 HA pair within the same 4-node cluster using the steps shown below.

1.
Scan the host OS to discover all paths to the LUN.
 2.
Execute the lun move command to move the LUN to the AFF A/00 HA pair.
 3.
Remove the AFF A200 HA pair from the reporting-nodes list.
 4.
Add the AFF A700 HA pair to the reporting-nodes list. What is the correct sequence in performing, these steps?
- A. 1, 2, 3, 4
 - B. 4, 1, 2, 3
 - C. 4, 3, 2, 1
 - D. 3, 2, 1, 4

Correct Answer: B

QUESTION 4

You create a new iSCSI SVM and secure iSCSI sessions by using both Challenge-Handshake Authentication Protocol (CHAP) and iSCSI Access Control Lists (ACL).

In this scenario, in which two ways are you securing your iSCSI implementation? (Choose two.)

- A. CHAP creates a hash value for the username and shared secret.
- B. iSCSI ACLs are applied to the initiator configuration to provide an IP address of the targets.
- C. CHAP encrypts all iSCSI session I/O.



D. iSCSI ACLs are applied to the target configuration to provide an IP address of the initiators.

Correct Answer: AD

QUESTION 5

Click the Exhibit button.

Question | **Exhibit**

```
1-rtp:admin> porterrshow
      frames  enc  crc  crc  too  too  bad  enc  disc  link  loss  loss  frj:
      tx    rx   in  err  g_eof shrt long eof  out  c3   fail  sync  sig
0:    2m    10  0   1.1m 0    0    0    0    1k   0    2    0    2    0
1:    2.5g
542.3m 0    0    0    0    0    0    0    0    0    2    0    0    0
2:    4.0g
563.1m 0    0    0    0    0    0    8    0    0    2    0    0    0
3:    0     0    0    0    0    0    0    0    0    0    0    0    0    0
4:    1.8g  3.9g 0    0    0    0    0    0    0    0    0    0    0    0
```

Referring to the exhibit, what is the problem with switch port 0?

- A. The transmit and receive links were switched.
- B. The SFP+ is faulty.
- C. The receive power is lower.
- D. The link is not connected.

Correct Answer: C

[Latest NS0-509 Dumps](#)

[NS0-509 Practice Test](#)

[NS0-509 Braindumps](#)