



NS0-520^{Q&As}

NetApp Certified Implementation Engineer - SAN ONTAP

Pass NetApp NS0-520 Exam with 100% Guarantee

Free Download Real Questions & Answers **PDF** and **VCE** file from:

<https://www.geekcert.com/ns0-520.html>

100% Passing Guarantee
100% Money Back Assurance

Following Questions and Answers are all new published by NetApp
Official Exam Center

-  **Instant Download** After Purchase
-  **100% Money Back** Guarantee
-  **365 Days** Free Update
-  **800,000+** Satisfied Customers





QUESTION 1

You need to configure iSCSI on your existing ONTAP cluster in a new SVM. The iSCSI LUNs will be served over a new Layer 2 network using the same physical ports that also use the CIFS protocol on a different SVM.

Which two actions should you perform to accomplish this task? (Choose two.)

- A. Create a new portset.
- B. Create a new VLAN.
- C. Create a new broadcast domain.
- D. Create a new AD object.

Correct Answer: BC

QUESTION 2

Question Exhibit

Volume: ESX2_NVMe_volume_944 Back to all volumes Edit Delete More actions Refresh

Overview
Snapshots Copies
Data Protection
Storage efficiency
Performance

<p>Before </p> <p>After </p>	<p>153.93 Gb of 166.25 G available space</p> <p>156.71 Gb of 166.25 G available space</p>	<p>Last Details</p> <table style="width: 100%; border-collapse: collapse;"> <tr> <td style="width: 15%;">Last Run</td> <td>Aug/24/2018 23:56:57</td> </tr> <tr> <td>Total Savings</td> <td>2.77 GB (22%)</td> </tr> <tr> <td></td> <td>1.14 GB (9%) - Deduplication Savings</td> </tr> <tr> <td></td> <td>1.63 GB (13%) - Compression Savings</td> </tr> <tr> <td>Start Time</td> <td>Aug/24/2018 23:56:57</td> </tr> <tr> <td>End Time</td> <td>Aug/24/2018 23:56:57</td> </tr> </table>	Last Run	Aug/24/2018 23:56:57	Total Savings	2.77 GB (22%)		1.14 GB (9%) - Deduplication Savings		1.63 GB (13%) - Compression Savings	Start Time	Aug/24/2018 23:56:57	End Time	Aug/24/2018 23:56:57
Last Run	Aug/24/2018 23:56:57													
Total Savings	2.77 GB (22%)													
	1.14 GB (9%) - Deduplication Savings													
	1.63 GB (13%) - Compression Savings													
Start Time	Aug/24/2018 23:56:57													
End Time	Aug/24/2018 23:56:57													
<p>Details</p> <table style="width: 100%; border-collapse: collapse;"> <tr> <td style="width: 30%;">Deduplication</td> <td>Enabled (inline)</td> </tr> <tr> <td>Deduplication Mode</td> <td>none</td> </tr> <tr> <td>Status</td> <td>idle</td> </tr> <tr> <td>Type</td> <td>regular</td> </tr> <tr> <td>Compression</td> <td>Enabled (inline)</td> </tr> </table>		Deduplication	Enabled (inline)	Deduplication Mode	none	Status	idle	Type	regular	Compression	Enabled (inline)			
Deduplication	Enabled (inline)													
Deduplication Mode	none													
Status	idle													
Type	regular													
Compression	Enabled (inline)													

Which two storage efficiencies have been enabled on the NVMe namespace that is shown in the exhibit? (Choose two.)

- A. deduplication
- B. compaction
- C. compression
- D. thin provisioning

Correct Answer: B

QUESTION 3

Exhibit.



Interface Name	Storage Virtual Mac...	IP Address/WWPN	Current Port	Is Home Port	Data Protocol Access
fcpsanluns01prod01p0e	svm_sanluns01	20:0f:00:a0:98:9e:f8:55	alf-01:0e	Yes	fc
fcpsanluns01prod01p0g	svm_sanluns01	20:10:00:a0:98:9e:f8:55	alf-01:0g	Yes	fc
fcpsanluns01prod01p2a	svm_sanluns01	20:04:00:a0:98:9e:f8:55	alf-01:2a	Yes	fc
fcpsanluns01prod02p0e	svm_sanluns01	20:11:00:a0:98:9e:f8:55	alf-02:0e	Yes	fc
fcpsanluns01prod02p0g	svm_sanluns01	20:01:00:a0:98:9e:f8:55	alf-02:0g	Yes	fc
fcpsanluns01prod02p2a	svm_sanluns01	20:17:00:a0:98:9e:f8:55	alf-02:2a	Yes	fc

Referring to the exhibit, which FC LIF would cause a path failure on a host connecting to a LUN?

- A. fcpsanluns01prod02p0e
- B. fcpsanluns01prod02p0g
- C. fcpsanluns01prod02p0g
- D. fcpsanluns01prod02p2a

Correct Answer: A

QUESTION 4

Changes to your organization requires access to an SVM be given to a group of individuals. Your company uses Active Directory as a method of access control. You decide to use the security login create - vserver engCluster -user-or-groupname CORP\Admins -application ssh -authmethod domain -role vsadmin command.

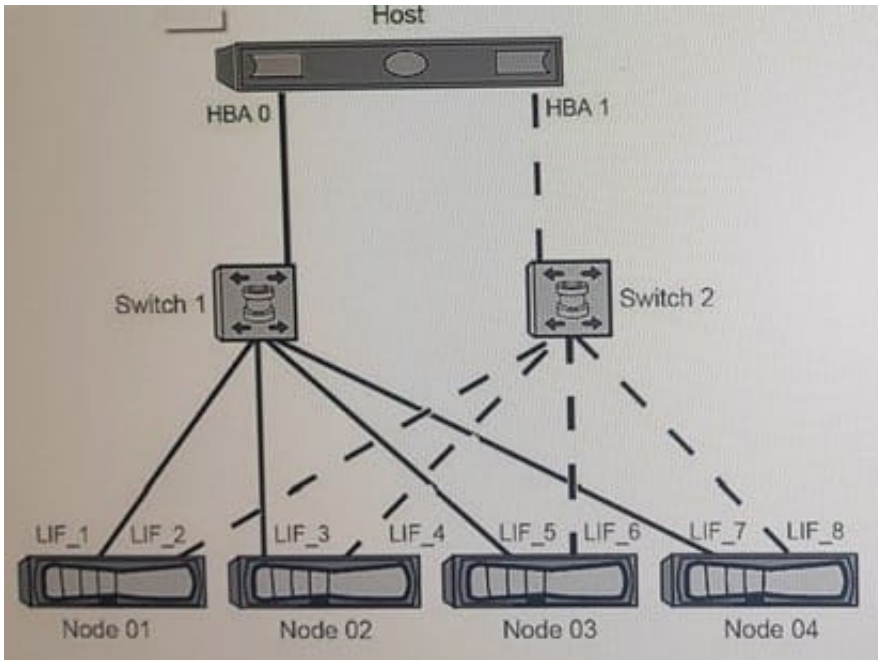
In this scenario, which access rights will this command grant?

- A. read only rights to the SVM engCluster for Active Directory group CORP
- B. vsadmin rights to the SVM engCluster for Active Directory group CORP\Admins
- C. vsadmin rights to the SVM CORP for Active Directory group CORP\Admins
- D. vsadmin rights to the SVM engCluster for Active Directory group CORP

Correct Answer: B

QUESTION 5

Exhibit.



The host in the exhibit is connected to a 4-node ONTAP SAN using dual-fabric implementation. LUNs have been mapped through all available UFUs on all nodes. Switch 2 is powered off for high-availability testing. How many paths per LUN would you expect the host to see in this scenario?

- A. 2
- B. 6
- C. 4
- D. 8

Correct Answer: C

[Latest NS0-520 Dumps](#)

[NS0-520 Practice Test](#)

[NS0-520 Exam Questions](#)