



NSE6_FML-6.0^{Q&As}

Fortinet NSE 6 - FortiMail 6.0

Pass Fortinet NSE6_FML-6.0 Exam with 100% Guarantee

Free Download Real Questions & Answers **PDF** and **VCE** file from:

https://www.geekcert.com/nse6_fml-6-0.html

100% Passing Guarantee
100% Money Back Assurance

Following Questions and Answers are all new published by Fortinet Official Exam Center

-  **Instant Download** After Purchase
-  **100% Money Back** Guarantee
-  **365 Days** Free Update
-  **800,000+** Satisfied Customers





QUESTION 1

Examine the access receive rule shown in the exhibit; then answer the question below.

FortiMail

Access Control Rule

Enabled

Sender pattern: Regular expression

Recipient pattern: Regular expression

Sender IP/netmask: /

Reverse DNS pattern: Regular expression

Authentication status:

TLS profile:

Action:

Comments:

Which of the following statements are true? (Choose two.)

- A. Email from any host in the 10.0.1.0/24 subnet can match this rule
- B. Senders must be authenticated to match this rule
- C. Email matching this rule will be relayed
- D. Email must originate from an example.com email address to match this rule

Correct Answer: CD

QUESTION 2

Which of the following statements regarding SMTPS and SMTP over TLS are true? (Choose three.)

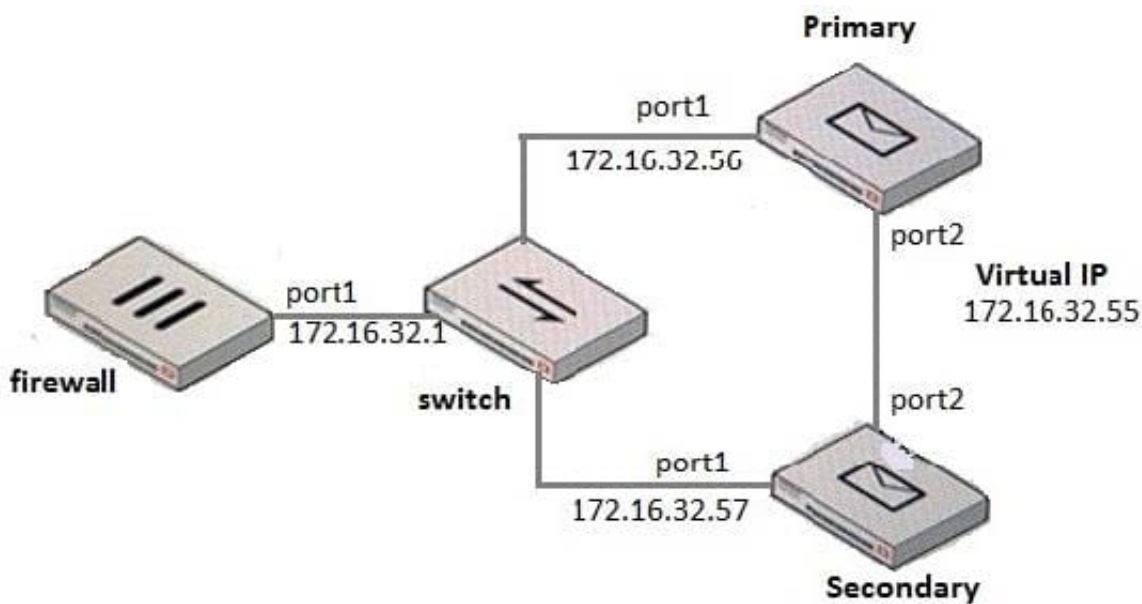
- A. In an SMTPS session, the identities of both sender and receiver are encrypted



- B. SMTPS connections are initiated on port 465
- C. SMTP over TLS connections are entirely encrypted and initiated on port 465
- D. The STARTTLS command is used to initiate SMTP over TLS
- E. SMTPS encrypts the body of the email message, where the most sensitive content exists

Correct Answer: ABD

QUESTION 3



What IP address should the DNS MX record for this deployment resolve to?

- A. 172.16.32.1
- B. 172.16.32.57
- C. 172.16.32.55
- D. 172.16.32.56

Correct Answer: C

QUESTION 4

Which of the following CLI commands, if executed, will erase all data on the log disk partition? (Choose two.)

- A. execute formatmaildisk
- B. execute formatmaildisk_backup



- C. execute formatlogdisk
- D. execute partitionlogdisk 40

Correct Answer: CD

QUESTION 5

Examine the FortiMail recipient-based policy shown in the exhibit; then answer the question below.

The screenshot shows the configuration page for a Recipient Based Policy in FortiMail. The 'Policies' tab is selected. The policy is titled 'Recipient Based Policy'. It is enabled. The direction is 'Incoming'. The domain is empty. The comments field is empty. The 'Sender Pattern' section shows a type of 'User' with a pattern of '*'. The 'Recipient Pattern' section shows a type of 'User' with a pattern of '*' and a domain of 'example.com'. The 'Profiles' section is expanded to show 'Authentication and Access'. The authentication type is 'LDAP' and the profile is 'Example LDAP'. There are 'New...' and 'Edit...' buttons. The 'Use for SMTP authentication' checkbox is checked, while 'Allow guaranteed email access through POP3' and 'Allow guaranteed email access through webmail' are unchecked.

After creating the policy, an administrator discovered that clients are able to send unauthenticated email using SMTP. What must be done to ensure clients cannot send unauthenticated email?

- A. Configure a matching IP policy with SMTP authentication and exclusive flag enabled
- B. Move the recipient policy to the top of the list
- C. Configure an access receive rule to verify authentication status



D. Configure an access delivery rule to enforce authentication

Correct Answer: A

[Latest NSE6_FML-6.0 Dumps](#)

[NSE6_FML-6.0 PDF Dumps](#)

[NSE6_FML-6.0 Practice Test](#)