



NSE7_OTS-6.4^{Q&As}

Fortinet NSE 7 - OT Security 6.4

Pass Fortinet NSE7_OTS-6.4 Exam with 100% Guarantee

Free Download Real Questions & Answers **PDF** and **VCE** file from:

https://www.geekcert.com/nse7_ots-6-4.html

100% Passing Guarantee
100% Money Back Assurance

Following Questions and Answers are all new published by Fortinet Official Exam Center

-  **Instant Download** After Purchase
-  **100% Money Back** Guarantee
-  **365 Days** Free Update
-  **800,000+** Satisfied Customers





QUESTION 1

What can be assigned using network access control policies?

- A. Layer 3 polling intervals
- B. FortiNAC device polling methods
- C. Logical networks
- D. Profiling rules

Correct Answer: D

QUESTION 2

Refer to the exhibit.

	Name	Type	IP/Netmask	VLAN ID
Physical Interface 14				
	port1	Physical Interface	10.200.1.1/255.255.255.0	
	port1-vlan10	VLAN	10.1.10.1/255.255.255.0	10
	port1-vlan1	VLAN	10.200.5.1/255.255.255.0	1
	port10	Physical Interface	10.0.11.1/255.255.255.0	
	port2	Physical Interface	10.200.2.1/255.255.255.0	
	port2-vlan10	VLAN	10.0.10.1/255.255.255.0	10
	port2-vlan1	VLAN	10.0.5.1/255.255.255.0	1

Which statement about the interfaces shown in the exhibit is true?

- A. port2, port2-vlan10, and port2-vlan1 are part of the software switch interface.

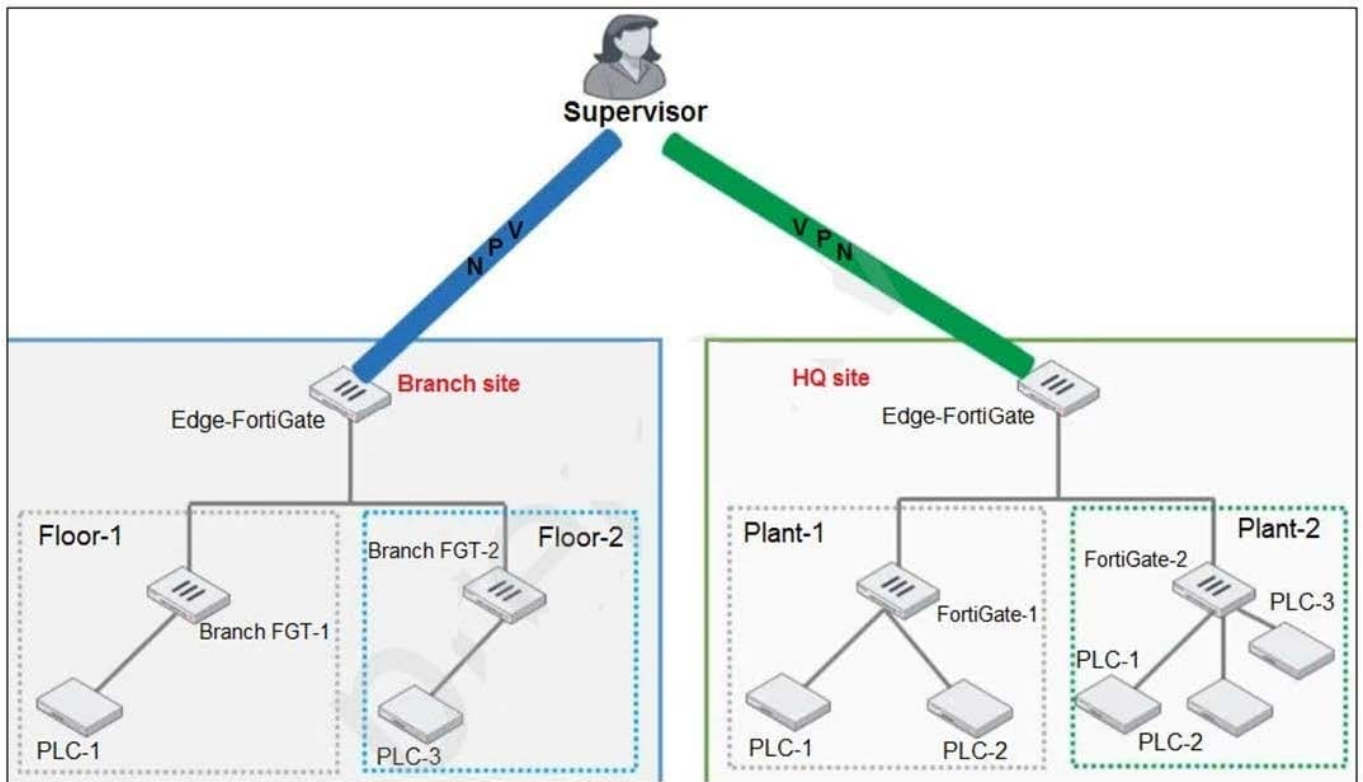


- B. The VLAN ID of port1-vlan1 can be changed to the VLAN ID 10.
- C. port1-vlan10 and port2-vlan10 are part of the same broadcast domain
- D. port1, port1-vlan10, and port1-vlan1 are in different broadcast domains

Correct Answer: D

QUESTION 3

Refer to the exhibit.



You need to configure VPN user access for supervisors at the breach and HQ sites using the same soft FortiToken. Each site has a FortiGate VPN gateway.

What must you do to achieve this objective?

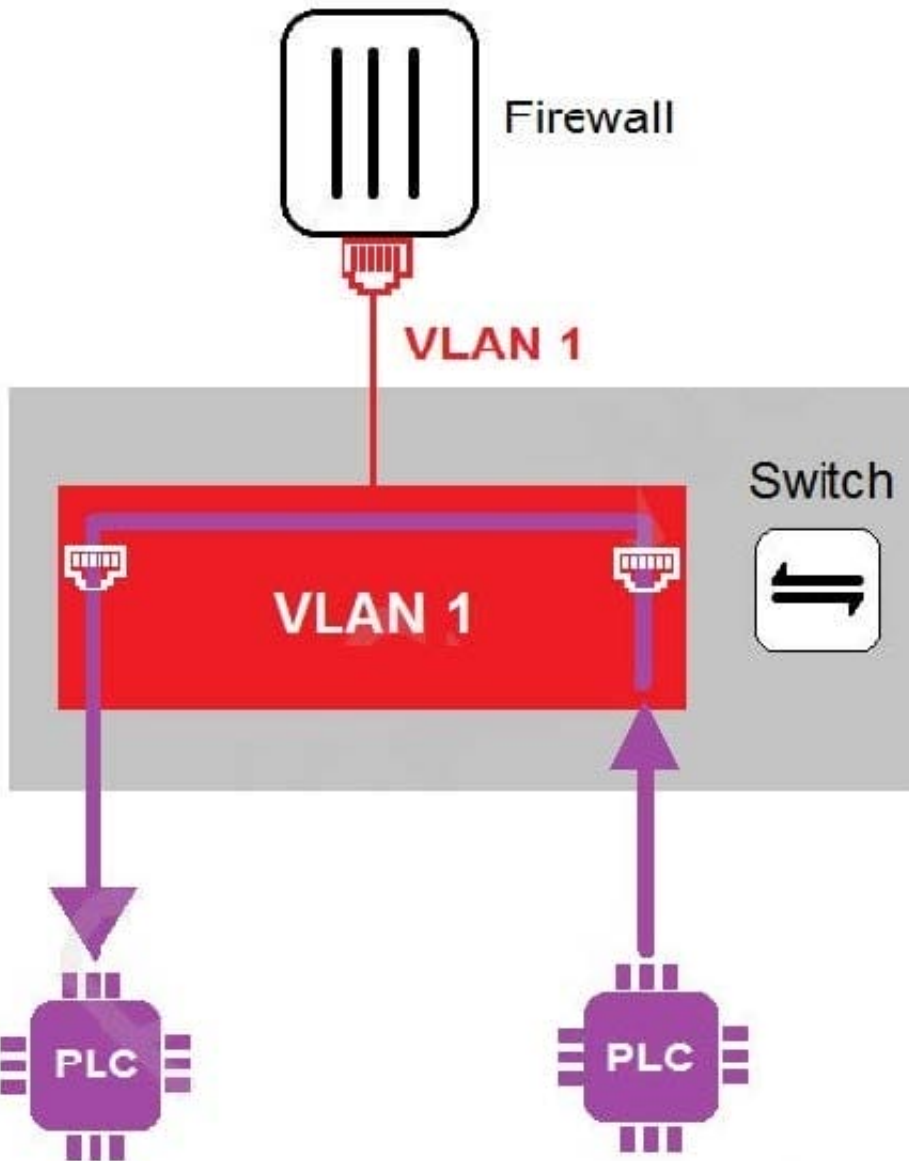
- A. You must use a FortiAuthenticator.
- B. You must register the same FortiToken on more than one FortiGate.
- C. You must use the user self-registration server.
- D. You must use a third-party RADIUS OTP server.

Correct Answer: A



QUESTION 4

Refer to the exhibit.



In the topology shown in the exhibit, both PLCs can communicate directly with each other, without going through the firewall.

Which statement about the topology is true?

- A. PLCs use IEEE802.1Q protocol to communicate each other.
- B. An administrator can create firewall policies in the switch to secure between PLCs.
- C. This integration solution expands VLAN capabilities from Layer 2 to Layer 3.
- D. There is no micro-segmentation in this topology.

Correct Answer: D



QUESTION 5

Refer to the exhibit and analyze the output.

```
[PH_DEV_MON_NET_INTF_UTIL] : [eventSeverity] =PHL_INFO, [filename] =phPerfJob.cpp,  
[lineNumber] =6646, [intfName]= Intel [R] PRO_100 MT Network  
Connection, [intfAlias] =, [hostname] =WIN2K8DC, [hostIpAddr] = 192.168.69.6,  
[pollIntv] =56, [recvBytes64] =  
44273, [recvBitsPerSec] = 6324.714286, [inIntfUtil] = 0.000632, [sentBytes64] =  
82014, [sentBitsPerSec] = 1171  
6.285714, [outIntfUtil] = 0.001172, [recvPkts64] = 449, [sentPkts64] = 255,  
[inIntfPktErr] = 0, [inIntfPktErrPct] = 0.000000, [outIntfPktErr] =0,  
[outIntfPktErrPct] = 0.000000, [inIntfPktDiscarded] =0, [inIntfPktDiscardedPct] =
```

Which statement about the output is true?

- A. This is a sample of a FortiAnalyzer system interface event log.
- B. This is a sample of an SNMP temperature control event log.
- C. This is a sample of a PAM event type.
- D. This is a sample of FortiGate interface statistics.

Correct Answer: A

[Latest NSE7_OTS-6.4 Dumps](#)

[NSE7_OTS-6.4 VCE Dumps](#)

[NSE7_OTS-6.4 Study Guide](#)