



NSE7_OTS-6.4^{Q&As}

Fortinet NSE 7 - OT Security 6.4

Pass Fortinet NSE7_OTS-6.4 Exam with 100% Guarantee

Free Download Real Questions & Answers **PDF** and **VCE** file from:

https://www.geekcert.com/nse7_ots-6-4.html

100% Passing Guarantee
100% Money Back Assurance

Following Questions and Answers are all new published by Fortinet Official Exam Center

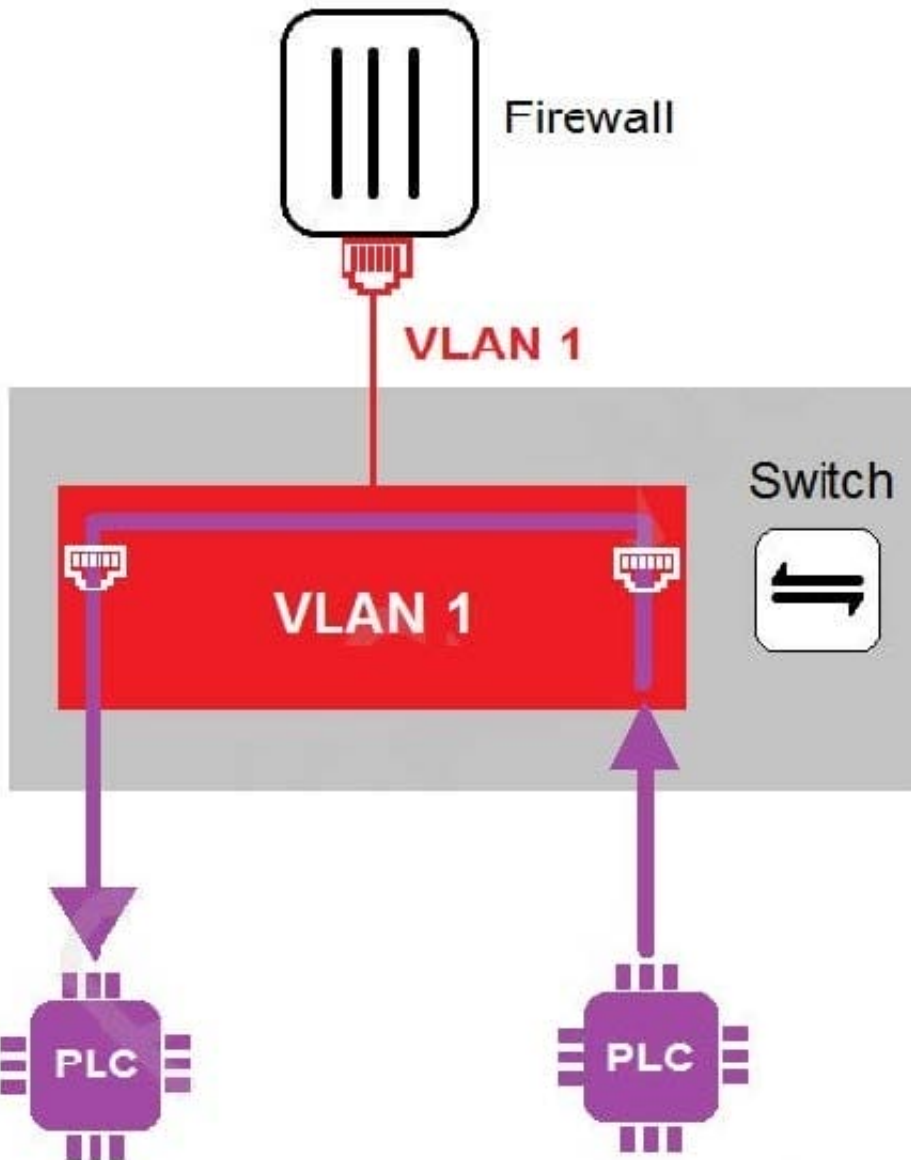
-  **Instant Download** After Purchase
-  **100% Money Back** Guarantee
-  **365 Days** Free Update
-  **800,000+** Satisfied Customers





QUESTION 1

Refer to the exhibit.



In the topology shown in the exhibit, both PLCs can communicate directly with each other, without going through the firewall.

Which statement about the topology is true?

- A. PLCs use IEEE802.1Q protocol to communicate each other.
- B. An administrator can create firewall policies in the switch to secure between PLCs.
- C. This integration solution expands VLAN capabilities from Layer 2 to Layer 3.
- D. There is no micro-segmentation in this topology.



Correct Answer: D

QUESTION 2

An administrator wants to use FortiSoC and SOAR features on a FortiAnalyzer device to detect and block any unauthorized access to FortiGate devices in an OT network.

Which two statements about FortiSoC and SOAR features on FortiAnalyzer are true? (Choose two.)

- A. You must set correct operator in event handler to trigger an event.
- B. You can automate SOC tasks through playbooks.
- C. Each playbook can include multiple triggers.
- D. You cannot use Windows and Linux hosts security events with FortiSoC.

Correct Answer: BC

QUESTION 3

Which three criteria can a FortiGate device use to look for a matching firewall policy to process traffic? (Choose three.)

- A. Services defined in the firewall policy.
- B. Source defined as internet services in the firewall policy
- C. Lowest to highest policy ID number
- D. Destination defined as internet services in the firewall policy
- E. Highest to lowest priority defined in the firewall policy

Correct Answer: ABD

QUESTION 4

What are two benefits of a Nozomi integration with FortiNAC? (Choose two.)

- A. Enhanced point of connection details
- B. Direct VLAN assignment
- C. Adapter consolidation for multi-adapter hosts
- D. Importation and classification of hosts

Correct Answer: AB



QUESTION 5

Which three Fortinet products can be used for device identification in an OT industrial control system (ICS)? (Choose three.)

- A. FortiNAC
- B. FortiManager
- C. FortiAnalyzer
- D. FortiSIEM
- E. FortiGate

Correct Answer: ACD

[NSE7_OTS-6.4 PDF Dumps](#)

[NSE7_OTS-6.4 Study
Guide](#)

[NSE7_OTS-6.4 Exam
Questions](#)