



NSE8_810^{Q&As}

Fortinet Network Security Expert 8 Written Exam (810)

Pass Fortinet NSE8_810 Exam with 100% Guarantee

Free Download Real Questions & Answers **PDF** and **VCE** file from:

https://www.geekcert.com/nse8_810.html

100% Passing Guarantee
100% Money Back Assurance

Following Questions and Answers are all new published by Fortinet
Official Exam Center

-  **Instant Download** After Purchase
-  **100% Money Back** Guarantee
-  **365 Days** Free Update
-  **800,000+** Satisfied Customers





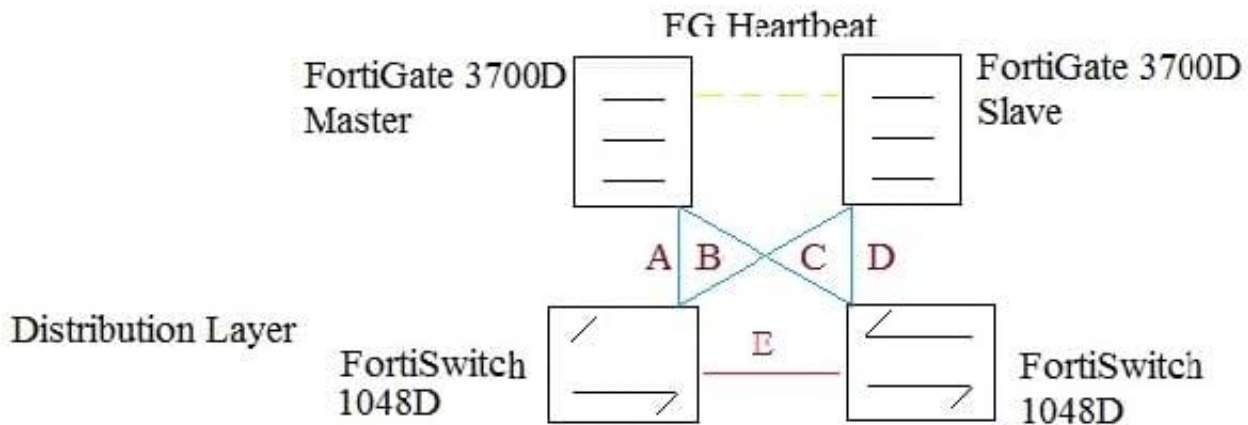
QUESTION 1

Click the Exhibit button.

The exhibit shows a full-mesh topology between FortiGates and FortiSwitches. To deploy this configuration, two requirements must be met:

- 20 Gbps full duplex connectivity is available between each FortiGate and the FortiSwitches
- The FortiGate HA must be in AP mode.

Security Layer



Referring to the exhibit, what are two actions that will fulfill the requirements? (Choose two.)

- A. Configure both FortiSwitch as peers with ICL over cable E, create one MCLAG on ports connected to cables A and C, and create another MCLAG on ports connected to cables B and D.
- B. Configure the master FortiGate with one and FortiLink split interface disable on ports connected to cables A and C and make sure the same ports are used for to cables B and D.
- C. Configure both FortiSwitches as peers ISL over cable on create one MCLAG on ports connected cables A and C, and ceate another MCLAG on ports connected to cables B and D.
- D. Configure the master FortiGate with one LAG and FortiLink split interface enables on ports connected to cable A and C make sure the ports are used for cables B and D on the slave.

Correct Answer: AC

QUESTION 2

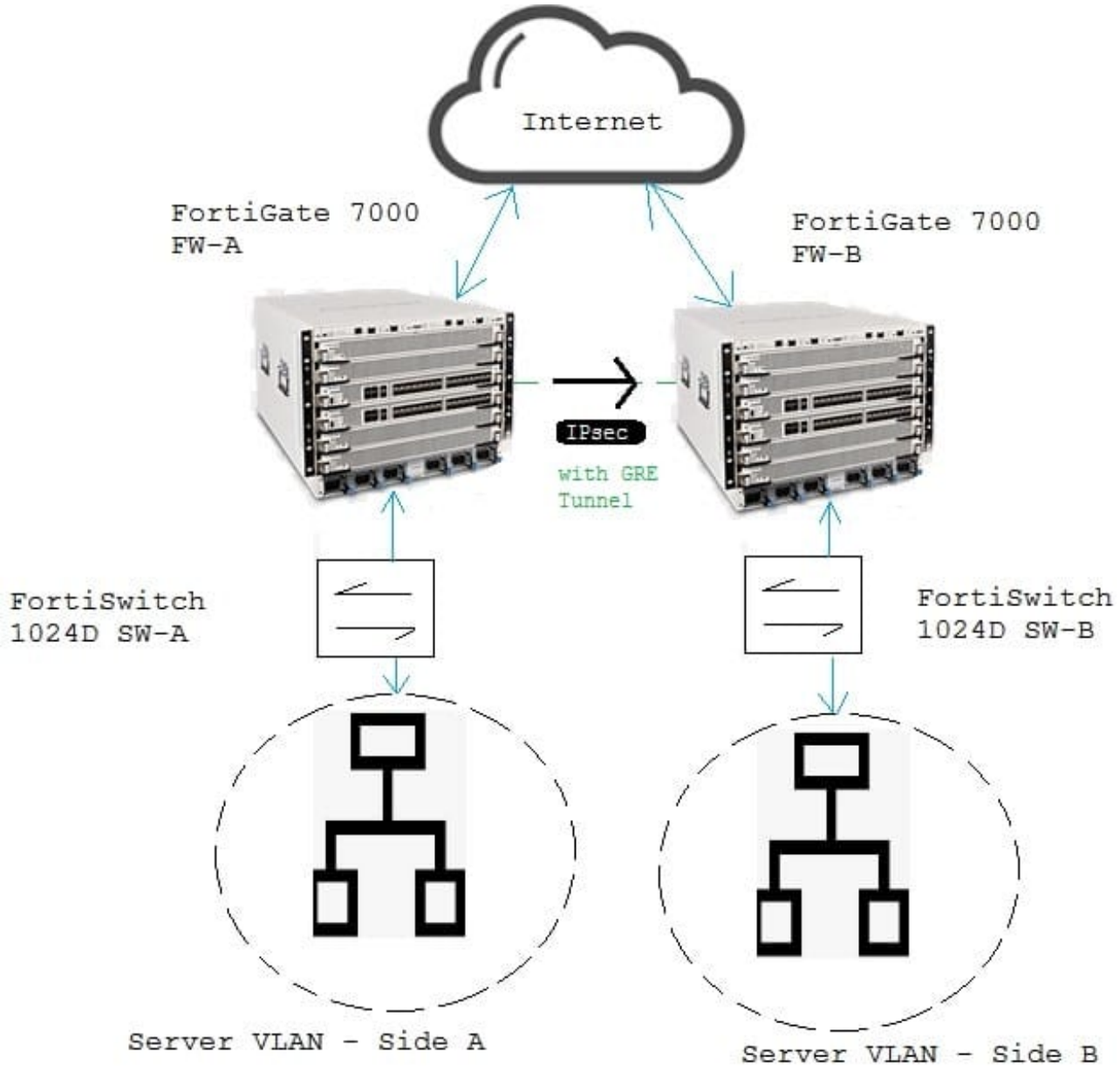
Click the Exhibit button.

You have two data centers a FortiGate 7000-series chassis connected by VPN, and all traffic flows over an



established generic routing encapsulation (GRE) tunnel between them.

You are troubleshooting traffic that is traversing between Server VLAN A and Server VLAN B. The performance is lower than expected and all traffic is only on the FPM module in slot 3.



Referring to the exhibit, which action will correct the problem?

- A. Referring to the exhibit, which action will correct the problem?
- B. NO course of action enables load balancing in this scenario.
- C. Change the algorithm so it takes IP source IP, destination IP, and port no account.
- D. Configuration a local-balance flow-rule in the CLI to enable load balancing.

Correct Answer: C



QUESTION 3

Click the Exhibit button.

Central NAT was configured on a FortiGate firewall. A sniffer shows ICMP packets out to a host on the Internet egresses with the port1 IP address instead of the virtual IP(VIP) that was configured. Referring to the exhibit, which configuration will ensure that ICMP traffic is also translated?

```
config system interface
edit "port1"
set ip 10.10.10.3 255.255.255.0
next
end
config firewall ippool
edit "secondary_ip"
set startip 172.16.1.254
set endip 172.16.1.254
next
end
config firewall central-snat-map
edit 1
set orig-addr "internal"
set srcintf "port2"
set dst-addr "all"
set dstintf "port1"
set nat-ippool "secondary_ip"
set protocol 6
next
end
```

- A. config firewall ippool edit "secondary_ip" set arp-intf `port1` next end
- B. config firewall central-snat-map edit 1 set protocol 1 next end
- C. config firewall central-snat-map edit 1 unset protocol next end
- D. config firewall central-snat-map edit 1 set orig-addr "all" next end

Correct Answer: B

QUESTION 4

Click the Exhibit button.



```
Exhibit
```

```
config user setting
  set auth-type https ftp
  set auth-cert "Fortinet_Factory"
  set auth-timeout 5
  set auth-timeout-type hard-timeout
  set auth-blackout-time 15
  set auth-lockout-threshold 5
  set auth-lockout-duration 10
end
```

Referring to the exhibit, which two statements are true about local authentication? (Choose two.)

- A. The user will be blocked 15 seconds after five login failures.
- B. When a ClientHello message indicating a renegotiation is received, the FortiGate will allow the TCP connection.
- C. The user's IP address will be blocked 15 seconds after five login failures.
- D. After five minutes, the user will need to re-authenticate.

Correct Answer: CD

QUESTION 5

Exhibit

Click the Exhibit button. Referring to the exhibit, which two behaviors will the FortiClient endpoint have after receiving the profile update from the FortiClient EMS? (Choose two.)



Profile Name	Default				
AntiVirus	Sanbox	Web Filter	Firewall	VPN	Vulnerability Scan
Sandbox Detection <input checked="" type="radio"/>					
Server					
IP Address/Hostname <input type="text" value="172.16.1.12"/>					
<input checked="" type="radio"/> Wait for FortiSandbox Results before Allowing File Access					
<input checked="" type="radio"/> Deny Access to File It FortiSandbox Is Unreachable					
Timeout <input type="text" value="60 seconds"/>					
Access will be allowed if results are not received when then timeout expires. Set to -1 to infinitely restrict access.					
Submission					
<input checked="" type="radio"/> All Files Executed from Removable Media					
<input type="radio"/> All Files Executed from Mapped Network Drives					
<input checked="" type="radio"/> All Web Downloads					
<input checked="" type="radio"/> All Email Downloads					

- A. Files executed from a mapped network drive will not be inspected by the FortiClient endpoint Antivirus engine.
- B. The user will not be able to access a Web downloaded file for at least 60 seconds when the FortiSandbox is reachable.
- C. The user will not be able to access a Web downloaded file for a maximum of 60 seconds if it is not a virus and the FortiSandbox is reachable.
- D. The user will not be able to access a Web downloaded file when the FortiSandbox is unreachable.

Correct Answer: AC

[NSE8_810 PDF Dumps](#)

[NSE8_810 VCE Dumps](#)

[NSE8_810 Exam Questions](#)