



# NSE8\_810<sup>Q&As</sup>

Fortinet Network Security Expert 8 Written Exam (810)

**Pass Fortinet NSE8\_810 Exam with 100% Guarantee**

Free Download Real Questions & Answers **PDF** and **VCE** file from:

[https://www.geekcert.com/nse8\\_810.html](https://www.geekcert.com/nse8_810.html)

100% Passing Guarantee  
100% Money Back Assurance

Following Questions and Answers are all new published by Fortinet  
Official Exam Center

-  **Instant Download** After Purchase
-  **100% Money Back** Guarantee
-  **365 Days** Free Update
-  **800,000+** Satisfied Customers





### QUESTION 1

Click the Exhibit button.



```
FG-1 # diag deb rating
Locale   : english
License  : Contract
```

```
= Server List (Thu Jan 10 10:16:20 2010) =
```

IP	Weight	RTT	Flags	TZ	Packets
Curr	Lost	Total	Lost		
66.117.56.37	60	100		-5	27410
0	20				
209.222.147.36	60	100	DI	-5	27512
0	46				
66.117.56.42	60	100		-5	27463
0	53				
173.243.138.194	90	149	D	-8	27558
0	165				
173.243.138.198	90	149		-8	27504
0	115				
96.45.33.64	90	168	D	-8	27447
0	55				
96.45.33.65	90	168		-8	27444
0	54				

```
FG-1 # diag sys session list
session info: proto=17 proto_state=00 duration=144 expire=39
timeout=0 flags=00000000 sockflag=00000000 sockport=0 av_idx=0
use=5
origin-shaper=
reply-shaper=
per_ip_shaper=
ha_id=0 policy_dir=0 tunnel=/ vlan_cos=0/255
state=may dirty
statistic(bytes/packets/allow_err): org=37650/552/1
reply=1406886/1045/1 tuples=3
tx speed(Bps/kbps): 164/1 rx speed(Bps/kbps): 6143/49
origin->sink: org pre->post, reply pre->post dev=4->3/3->4
gwy=20.20.20.1/172.16.200.10
hook=post dir=org act=snat 172.16.200.10:50735-
>172.217.6.14:443(20.20.20.2:50735)
hook=pre dir=reply act=dnat 172.217.6.14:443-
>20.20.20.2:50735(172.16.200.10:50735)
hook=post dir=reply act=noop 172.217.6.14:443-
>172.16.200.10:50735(0.0.0.0:0)
misc=0 policy_id=1 auth_info=0 chk_client_info=0 vd=0
serial=0001e25e tos=ff/ff app_list=0 app=0 url_cat=0
dd type=0 dd mode=0
```

You configured AV and Web filtering for your outgoing Internet connections. You later noticed that not all Web sessions are being inspected and you start troubleshooting the problem.



Referring to the exhibit, what would cause this problem?

- A. The Web session is using QUIC which is not inspected by the FortiGate
- B. There are problems with the connection to the Web filter servers, therefore the Web session cannot be categorized.
- C. The SSL inspection options are not set to inspection
- D. Web filtering is not licensed, therefore no inspection occurs.

Correct Answer: C

## QUESTION 2

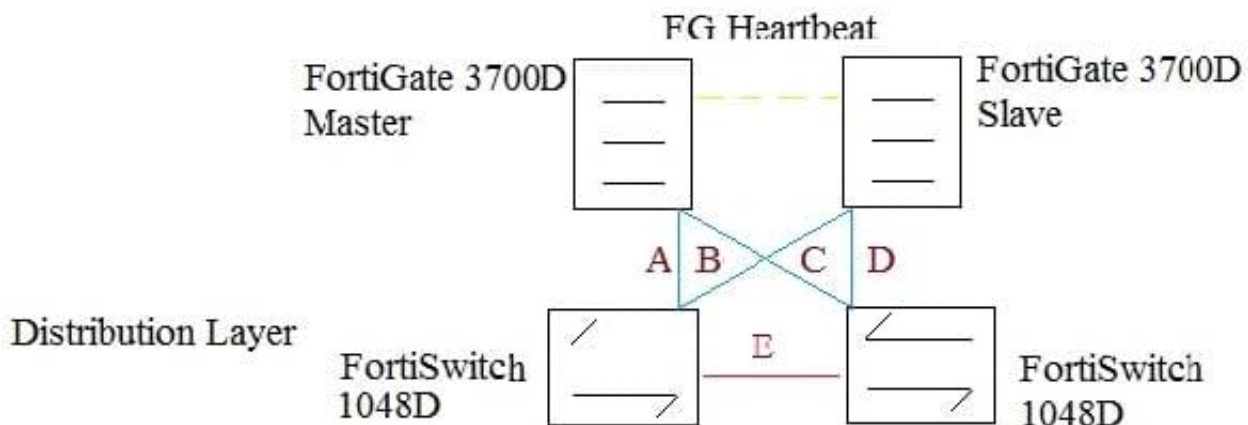
Click the Exhibit button.

The exhibit shows a full-mesh topology between FortiGates and FortiSwitches. To deploy this

configuration, two requirements must be met:

- 20 Gbps full duplex connectivity is available between each FortiGate and the FortiSwitches
- The FortiGate HA must be in AP mode.

### Security Layer



Referring to the exhibit, what are two actions that will fulfill the requirements? (Choose two.)

- A. Configure both FortiSwitches as peers with ICL over cable E, create one MLAG on ports connected to cables A and C, and create another MLAG on ports connected to cables B and D.
- B. Configure the master FortiGate with one and FortiLink split interface disable on ports connected to cables A and C and make sure the same ports are used for to cables B and D.
- C. Configure both FortiSwitches as peers ISL over cable E, create one MLAG on ports connected to cables A and C, and create another MLAG on ports connected to cables B and D.



D. Configure the master FortiGate with one LAG and FortiLink split interface enables on ports connected to cable A and C make sure the ports are used for cables B and D on the slave.

Correct Answer: AC

---

### QUESTION 3

Click the Exhibit button. Referring to the exhibit, which two statements are true? (Choose two.)



```
FGR # show firewall policy6
config firewall policy6
edit 1
set name "internet-ipv6"
set srcintf "port2"
set dstintf "port1"
set srcaddr "fd00:acd5:87a4:890d::10/128"
set dstaddr "all"
set action accept
set schedule "always"
set service "ALL"
set utm-status enable
set users "nse8user"
set profile-type group
set-profile-group "nse8-pfg"
set nat enable
  next
end
```

```
FGR # show firewall policy
config firewall policy
edit 1
set name "Internet"
set srcintf "port2"
set dstintf "port1"
set srcaddr "all"
set dstaddr "all"
set action accept
set schedule "always"
set service "ALL"
set utm-status enable
set logtraffic all
set fssso disable
set users "nse8user"
  set webfilter-profile "nse8-wf"
set dnsfilter-profile "nse8-wf-dns"
set profile-protocol-options "nse8-po"
set ssl-ssh-profile "certificate-inspection"
set nat enable
  next
end
```

```
FGR # show firewall profile group nse8-pfg
config firewall profile-group
edit "nse8-pfg"
set webfilter-profile "nse8-wf"
set dnsfilter-profile "nse8-wf-dns"
set profile-protocol-options "nse8-po"
set ssl-ssh-profile "certificate-inspection"
  next
end
```

- A. The IPv4 traffic for nse8user is filtered using the DNS profile.
- B. The IPv6 traffic for nse8user is filtered using the DNS profile.
- C. The IPv4 policy is allowing security profile groups.



D. The Web traffic for nse8user is being filtered differently in IPv4 and IPv6.

Correct Answer: AD

#### QUESTION 4

Click the Exhibit button.

Referring to the exhibit, which command-line option for deep inspection SSL would have the FortiGate resign all untrusted self-signed certificates with the trusted Fortinet\_CA\_SSL certificate?

```
config firewall ssl-ssh-profile
  edit "custom-deep-inspection"
    config https
      set untrusted-cert {option}
    end
  next
end
```

- A. allow
- B. block
- C. ignore
- D. inspect

Correct Answer: A

#### QUESTION 5

Click the Exhibit button.



**Exhibit**

```
FS448D-A (LAG-1) # show
config switch trunk
edit "LAG-1"
set mode lacp-active
set-mclag-icl enable
set members "port13" "port14"
next
end

FS448D-B (LAG-2) # show
config switch trunk
edit "LAG-2"
set mode lacp-active
set-mclag-icl enable
set members "port13" "port14"
next
end

FortiGate-A # show switch-controller managed-switch
config switch-controller managed-switch
edit FS448D-A
config ports
edit "LAG-3"
set type trunk
set mode lacp-active
set mclag enable
set members "port15"
next
end
next
edit FS448D-B
config ports
edit "LAG-3"
set type trunk
set mode lacp-active
set mclag enable
set members "port15"
next
end
next
end
```





Referring to the exhibit, which two statements are true? (Choose two.)

- A. port13 and port14 on FS448D-A should be connected to port13 and port14 on FS448D-B
- B. LAG-1 and LAG 2 should be connected to a single 4-port 802 3ad interface on the FortiGate-A.
- C. LAG-3 on switches on FS448D-A and FS448D-B may be connected to a single 802 3ad trunk on another device.
- D. LAG-1 and LAG-2 should be connected to a 4-port single 802 3ad trunk on another device.

Correct Answer: BC

[NSE8\\_810 PDF Dumps](#)

[NSE8\\_810 Exam Questions](#)

[NSE8\\_810 Brindumps](#)