



WORKKEYS^{Q&As}

WorkKeys Assessment Test

Pass ACT WORKKEYS Exam with 100% Guarantee

Free Download Real Questions & Answers **PDF** and **VCE** file from:

<https://www.geekcert.com/workkeys.html>

100% Passing Guarantee
100% Money Back Assurance

Following Questions and Answers are all new published by ACT Official Exam Center

-  **Instant Download** After Purchase
-  **100% Money Back** Guarantee
-  **365 Days** Free Update
-  **800,000+** Satisfied Customers





QUESTION 1

Janette walked 6 miles in a local walkathon. How many feet did she walk?

- A. 18 feet
- B. 18 feet
- C. 5280 feet
- D. 10,560 feet
- E. 31,680 feet

Correct Answer: E

QUESTION 2

Kaylen worked the following hours during one week. She is paid \$9.50 per hour for the first 40 hours of work. After 40 hours she is paid 1 times her regularly hourly rate. How much money did Kaylen earn this week?

Day	Hours worked
Monday	7
Tuesday	8
Wednesday	6.5
Thursday	12
Friday	8.75

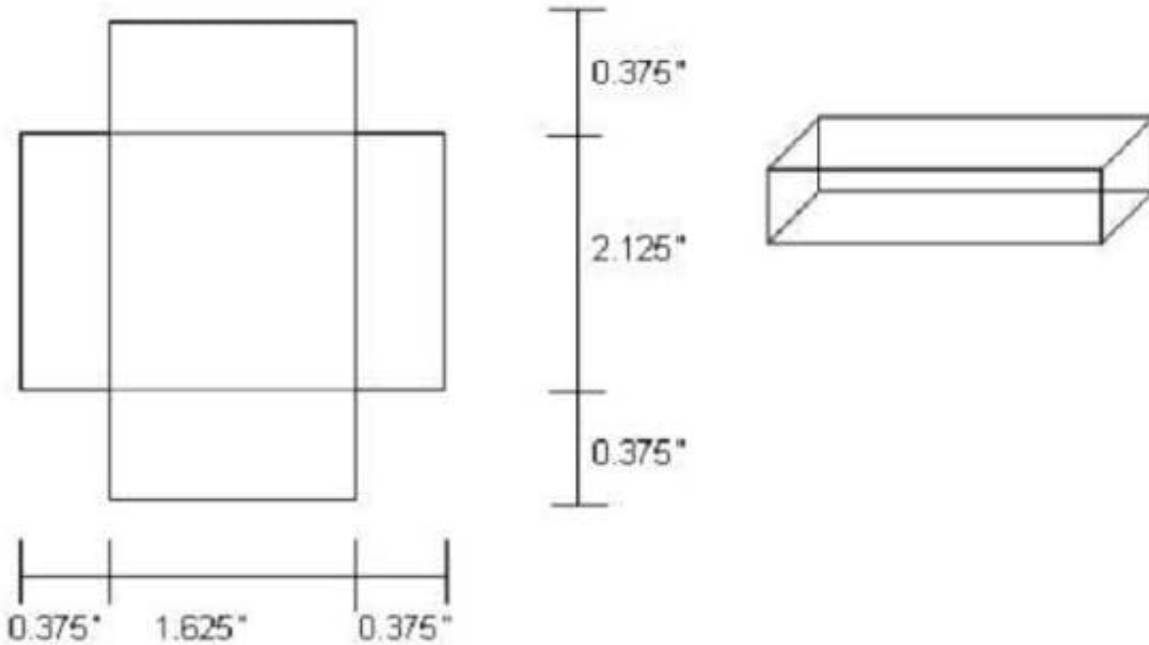
- A. \$401.38
- B. \$412.06
- C. \$420.38
- D. \$522.50
- E. \$562.32

Correct Answer: B



QUESTION 3

Shown below is the print that is to be folded into a box: Tolerances on all measurements are $+0.002$ inches. What is the percent change from the ideal volume if the minimum tolerance for each dimension is reached?



- A. 0.77%
- B. 1%
- C. 1.7%
- D. 7%
- E. 14%

Correct Answer: A

QUESTION 4

A state law requires that there be one certified teacher for every 15 preschool students enrolled in a state-certified school. How many certified teachers are needed at a center with 150 preschool children?

- A. 5 teachers
- B. 10 teachers
- C. 15 teachers
- D. 20 teachers



E. 25 teachers

Correct Answer: B

QUESTION 5

The temperature in a refrigerated truck had the following temperatures on five consecutive days. 0° , -4° , -6° , 3° , and 2° F. What was the mean temperature?

A. -5° F

B. -2° F

C. -1° F

D. 3° F

E. 5° F

Correct Answer: C

[Latest WORKKEYS Dumps](#)

[WORKKEYS PDF Dumps](#)

[WORKKEYS Study Guide](#)